

Name **CHELSEA MEDIUM**
Number **N003**
Collection **NAUTIC**

TEKNA

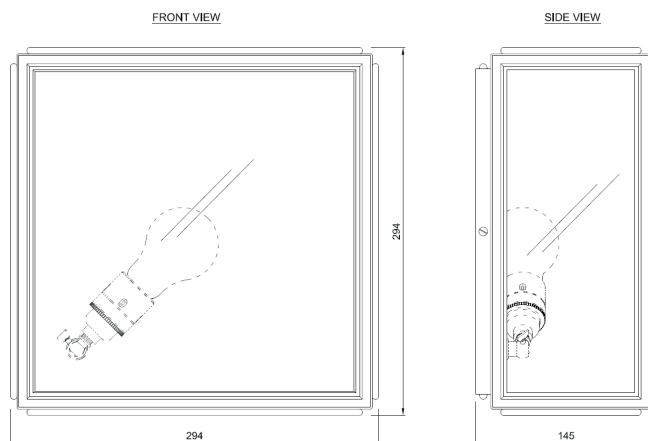
General

Location Indoor
Main material Brass/glass
IP rating IP40
Class .
Bathroom zone Zone 3
Voltage 230V
Driver required .
Cable length (m) .
Dimensions (mm) 294x294x145
Mounting method Ceiling bracket
Gross weight (kg) .
Net weight (kg) .
Packaging (mm) .
Energy Efficiency % .



Lamp

Included
Light source LED
Number of light sources 1
Socket type E27
Bulb shape .
Max lamp length (mm) .
Power consumption 4.5W / 5.5W
Luminous flux 470lm
Color temperature 2500K / 2700K
CRI 80 / 90
Lifetime 15.000h
Beam angle 300° / 360°



Electrical

Switch (type) .
Battery No
Dimmable No
Dimming range No
Dimming method .
Supply frequency 50Hz / 60Hz
Driver/ballast voltage 230V
Efficiency .

Finishes

■ Dark Bronze