

PANZERI

Silver Ring

220-240V AC dimmable (DALI/Push DIM)

L08221.050.0402



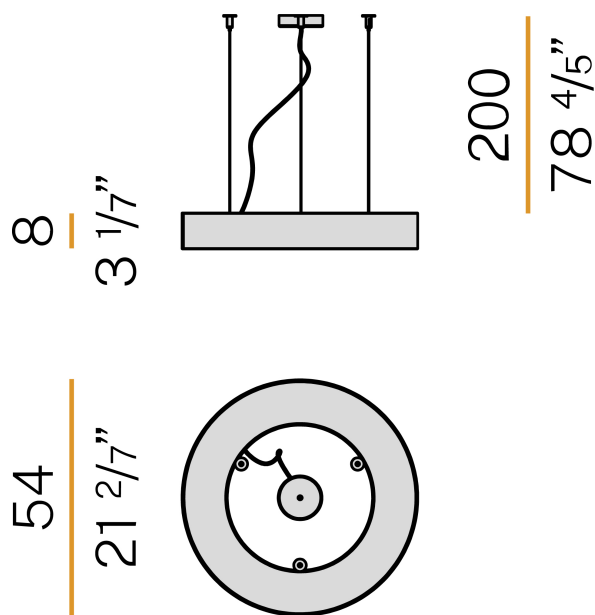
Data sheet

| | |
|----------------------------|--------------------------|
| CODE | L08221.050.0402 |
| SYSTEM POWER CONSUMPTION | 25W |
| EFFICACY | 72.36lm/W |
| LIGHT SOURCE | LED |
| LIGHT SOURCE LIFETIME | L80 (B20) 80.000h |
| COLOUR TEMPERATURE | 3000K Ra>90 |
| LIGHT DISTRIBUTION | diffused |
| POWER SUPPLY | 220-240V AC |
| FREQUENCY | 50/60Hz |
| ELECTRICAL CONFIGURATION | dimmable (DALI/Push DIM) |
| DRIVER | integrated included |
| NOMINAL LUMINOUS FLUX | 3100lm |
| LUMEN OUTPUT | 1809lm |
| EFFICIENCY | 58.4% |
| WEIGHT | 4,81 Kg |
| PROTECTION DEGREE | IP40 |
| COLOUR TOLLERANCES | SDCM 3 |
| GLOW WIRE TEST PERFORMANCE | 850° |
| PACKING DIMENSIONS | 58,0 x 14,0 x 58,0 cm |



Suspension lighting fixture for interiors, with direct light emission. Pickled sheet metal structure in polyacrylic paint. Aluminium dissipation plates. Pickled sheet metal covers in white, black or bronze polyacrylic paint, or with gold leaf coating. Diffuser in modelled polycarbonate with opaline finish. Suspension kit with griplocks and 2m (78,7") long steel cables. 2,5m (98,4") long power cable in transparent PVC. Power canopy with galvanized sheet metal ceiling bracket and pickled sheet metal covering in white, black or bronze polyacrylic paint, or with gold leaf coating.

Technical drawing



Polar diagram

