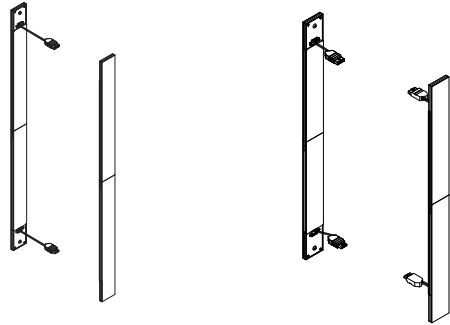


# kreon

technics



Name

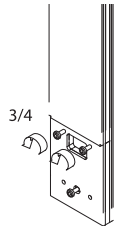
Reference

telescopic suspension 900-1200 white leather	KR763701, KR763721, KR763731
telescopic suspension 900-1200 black leather	KR763702, KR763722, KR763732
telescopic suspension 1200-1650 white leather	KR763801, KR763821, KR763831
telescopic suspension 1200-1650 black leather	KR763802, KR763822, KR763832
telescopic suspension 900-1200 white leather audio	KR763751, KR763761, KR763771
telescopic suspension 900-1200 black leather audio	KR763752, KR763762, KR763772
telescopic suspension 1200-1650 white leather audio	KR763851, KR763861, KR763871
telescopic suspension 1200-1650 black leather audio	KR763852, KR763862, KR763872

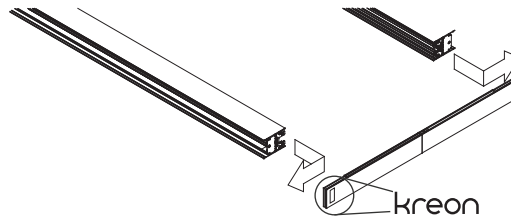
1 specifications

telescopic suspension

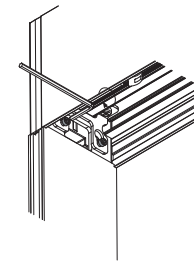
telescopic suspension audio



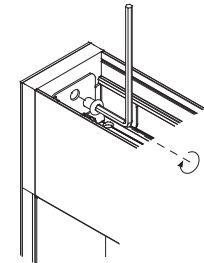
remove the big bolts and release the others for 3/4 of their length



slide the bolts of the pendants into the keyholes mind the orientation of the pendants: the Kreon logo in the leather indicates the bottom of the pendants. Bottom pendant is aligned with the bottom profile of the cadre (profile which contains the light)

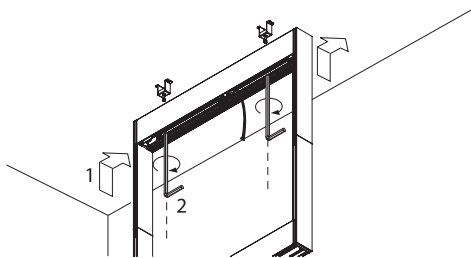


fix the small hexagon bolts

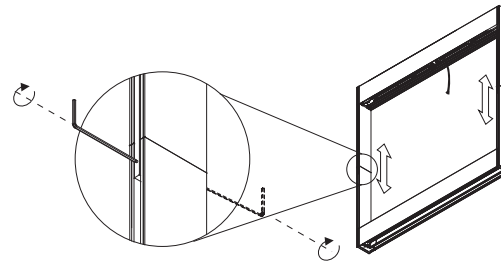


use 4x hex. screws to secure pendants

2 installation



slide in keyhole slot to fix against ceiling

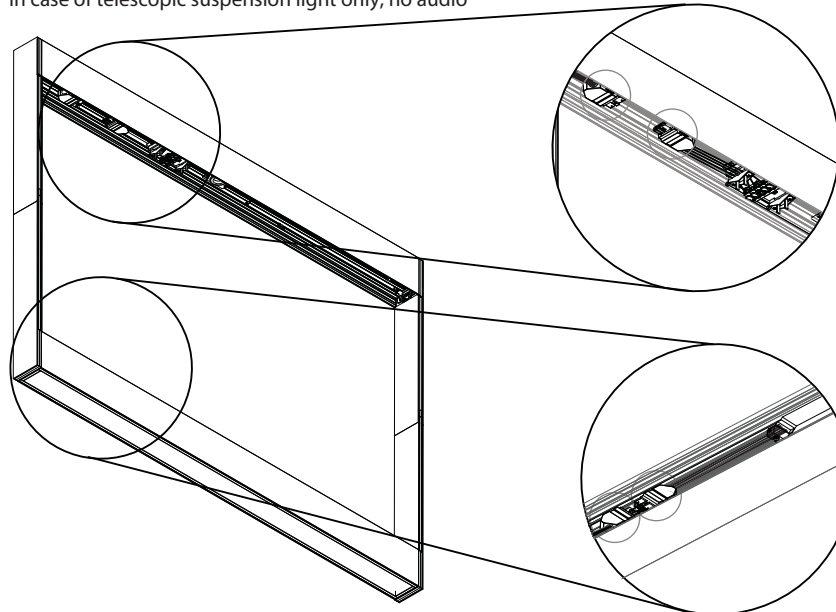


screw the screws evenly

use set screws (4x) to adjust height evenly

installation

in case of telescopic suspension light only, no audio



Name

Reference

telescopic suspension 900-1200 white leather	KR763701, KR763721, KR763731
telescopic suspension 900-1200 black leather	KR763702, KR763722, KR763732
telescopic suspension 1200-1650 white leather	KR763801, KR763821, KR763831
telescopic suspension 1200-1650 black leather	KR763802, KR763822, KR763832

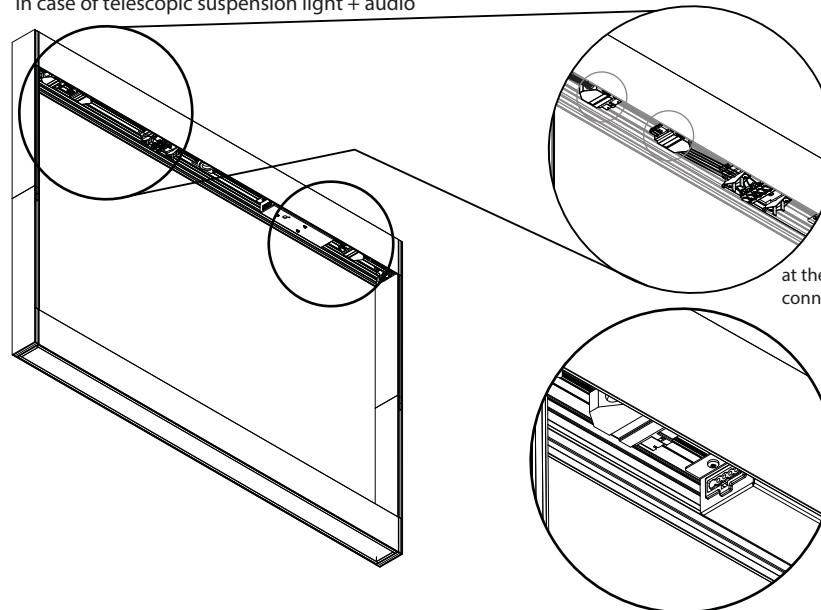
note: for more information regarding the dimming etc.  
please follow in the installation manual KR8630001766, delivered with the profiles

at the top:  
connect the female connector of the profile to the male connector in the pendant

at the bottom  
connect the male connector coming from the ballast to the female connector in the pendant

3 | electrical connection

in case of telescopic suspension light + audio



Name

Reference

telescopic suspension 900-1200 white leather audio	KR763751, KR763761, KR763771
telescopic suspension 900-1200 black leather audio	KR763752, KR763762, KR763772
telescopic suspension 1200-1650 white leather audio	KR763851, KR763861, KR763871
telescopic suspension 1200-1650 black leather audio	KR763852, KR763862, KR763872

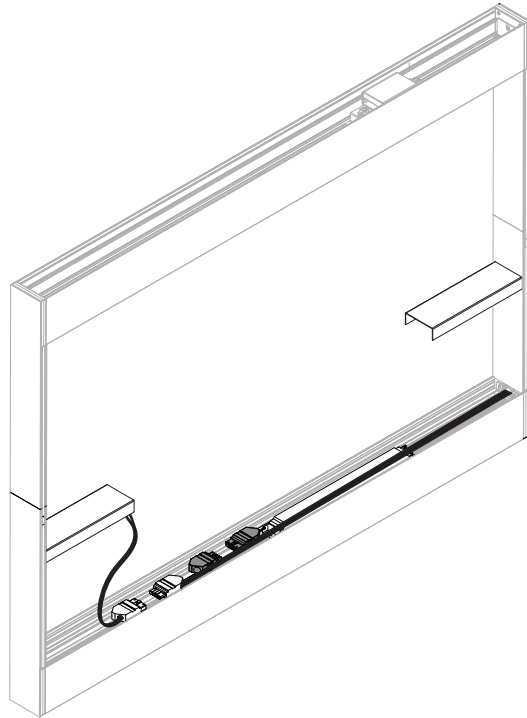
note: for more detailed information regarding the dimming and audio connection  
please follow in the installation manual KR8630001955, delivered with the profiles

at the top - light part  
connect the BLACK female 5P connector of the profile to the male connector in the pendant

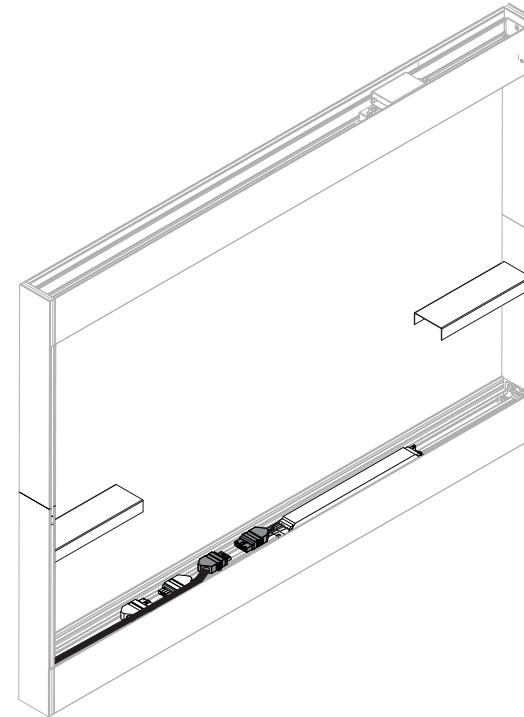
at the top - audio part  
connect the WHITE male 4P connector coming from the pendant to the female snap-in connector  
in the black box in the profile

electrical connection

in case of telescopic suspension light + audio



audio part: lead the white 4P female connector with the cable underneath the audio speakers and connect it to the 4P male connector coming from one of the speakers. Make sure the cable is pulled tight, so there's no cable interfering with the cover.



electric part: connect the black 5P female connector to the black 5P male connector coming from the gear.