


PANZERI

Carl2

220-240V AC dimmable (1-10V/Push DIM)

P12519.033.0403

 mat brass

DIRECT
LIGHT

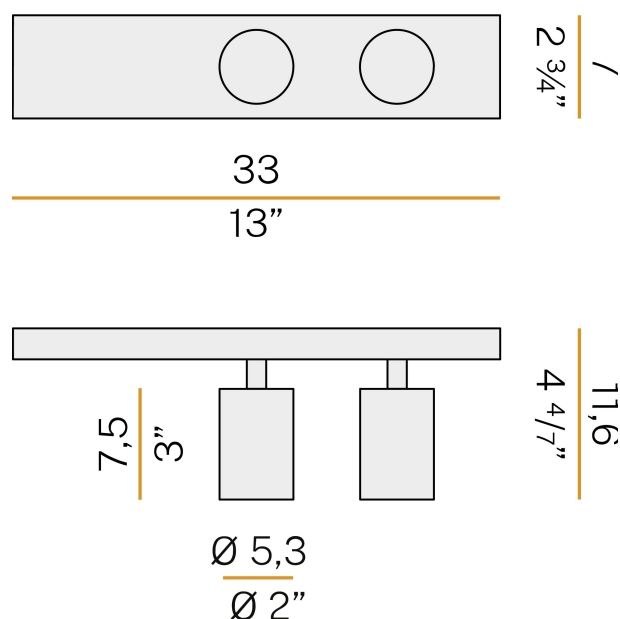
Data sheet

CODE	P12519.033.0403
SYSTEM POWER CONSUMPTION	43W
EFFICACY	66.79lm/W
LIGHT SOURCE	LED
LIGHT SOURCE LIFETIME	L80 (B10) 50.000h
COLOUR TEMPERATURE	3000K Ra>90
LIGHT DISTRIBUTION	adjustable
BEAM ANGLE	30°
POWER SUPPLY	220-240V AC
FREQUENCY	50/60Hz
ELECTRICAL CONFIGURATION	dimmable (1-10V/Push DIM)
DRIVER	integrated included
NOMINAL LUMINOUS FLUX	4102lm
LUMEN OUTPUT	2872lm
EFFICIENCY	70%
GLARE RATING	UGR < 16
WEIGHT	1,20 Kg
PROTECTION DEGREE	IP20
PACKING DIMENSIONS	16,0 x 39,0 x 16,0 cm



Ceiling or wall lighting fixture for interiors, with swivelling light beam.
Pickled sheet metal ceiling/wall bracket in polyacrylic paint.
Pickled sheet metal structure in white, black, bronze, mat brass or titanium polyacrylic paint.
Die-cast aluminium joints with polyacrylic paint.
Die-cast aluminium projectors rotating on two axes in polyacrylic paint.
Reflectors in thermoplastic material with chrome plated finish.
Textured glass screens.
Anti-glare snoots in black thermoplastic material.

Technical drawing



Application



Polar diagram

