

Name: Mei - 90

Design: Joana Bover / 2004

Typology: Pendant lamp

Environment: Indoor

Technical description:

Pendent lamp providing diffused light through a translucent shade of hand wrapped polyester blend ribbon. The canopy is available in brown or black, as well as a satin nickel finish. The electrical connection is transparent, and the diffuser is a frosted injection-molded PVC lens.



Lamps description

	Grounding: compulsory
	3 x 100 W E26 A19 INC
	3 x 10 W E26 A19 LED
	3 x 20 W E26 Triple CFL

Voltage: 120V~60Hz

1 Box 37.40 x 37.40 x 17.72 inches

Vol.: 14.341 ft³

Weight: 17.64 lbs

Certifications:

Photometrics made according to the position the lights are shown in the catalogue and price list.

Ref Finishings

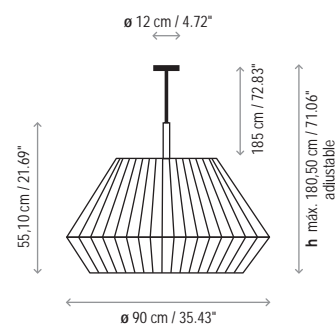
4419903U	Brown Iron
4419904U	Black Iron
4419905U	Satin Nickel
Lampshade 31.50" X 16.34" X 13.78"	
P-490C	White Translucent Ribbon
P-491C	Cream Translucent Ribbon
P-492C	Red Translucent Ribbon
P-493C	Black Translucent Ribbon

Diffuser included

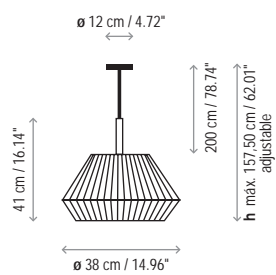
Transparent connection

Customizable

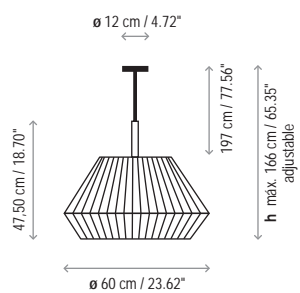
Measures



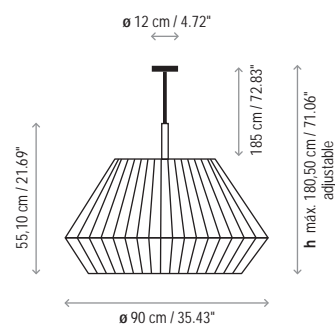
Mei - 38



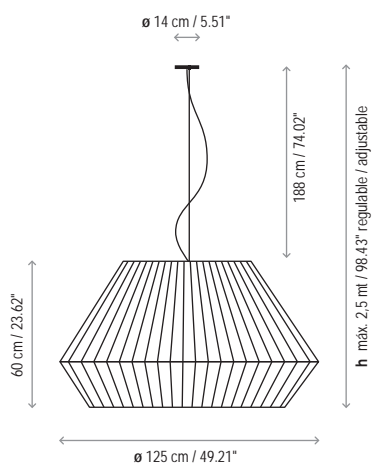
Mei - 60



Mei - 90



Mei - 125



Mei - 150

