

Heathfield&Co

Product Specification Sheet

TABLE LAMP | KOBI



PRODUCT INFORMATION

Base Code: TL-KOBI-BRNZ-GOLD

Material: Marble

Finish shown: Calacatta Gold

Metalwork: Blackened Bronze

Lampshade: 13" Kobi Double Drum / SH-13-KOBI

Flex: UK & EU 1.5 metres of Black braided flex /
US Black braided flex

TECHNICAL INFORMATION

Weight: 3.3kg / 7.2lbs

Plug: Black 13amp UK plug /

Black Schuko EU plug / Black US polarised plug

Switching: Black inline switch

Lamping: 1x E27 lampholder / 1x E26 US lampholder
60W max. LED lamps recommended.

Lamps not included

BASE HEIGHT: 570 mm / 22¹/₂"

TOTAL HEIGHT: 805 mm / 31³/₄"

BASE WIDTH: 100 mm / 4"

SHADE WIDTH: 330 mm / 13"

UKCA / CE / UL COMPLIANT

WARRANTY

10 years*

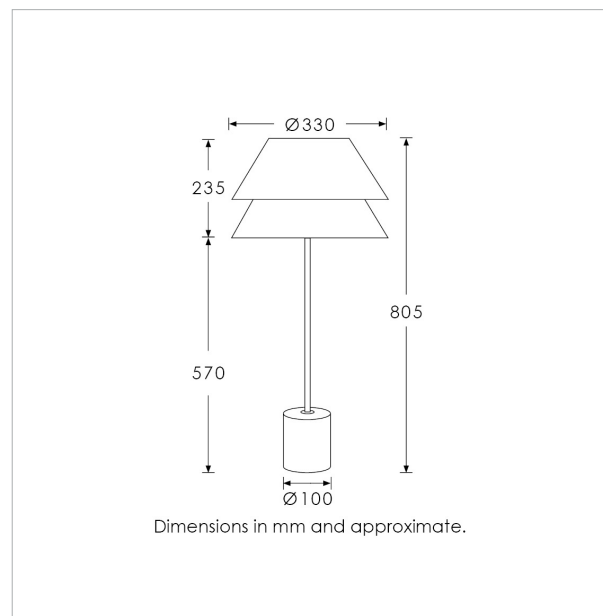
FINISHING NOTE

Marble is a natural material with distinctly unique formations, markings and colouration. It is part of its charm that no two lamps are exactly the same. All metalwork is handcrafted and may vary from piece to piece with slight variations in finish and detailing.

CLEANING INSTRUCTIONS

The finishes on this luminaire only require regular cleaning with a soft dry duster. Abrasive or chemical cleaners may harm the finish and should not be used. Shade to be dusted with a clean dry cloth.

*Please refer to our Terms & Conditions for further information.



H&
CO

LIGHT BEYOND DESIGN