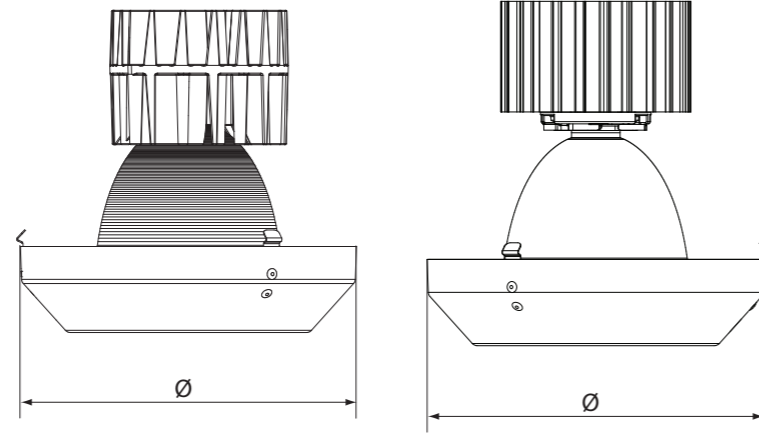
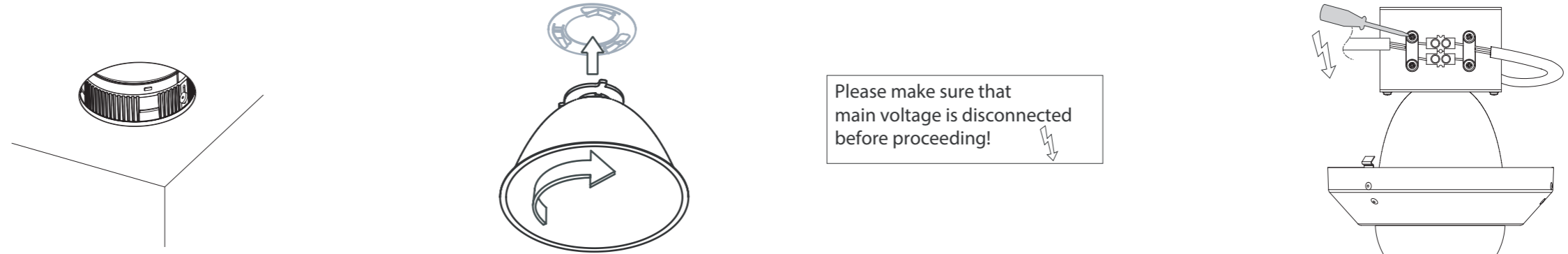


technics



Name	Reference	current	∅
aplis-in line 165/ down in line 165 wall washer	KR917431-X-XXXX	700mA	152
aplis-in line 165/ down in line 165 wall washer 3000lm	KR917431-XXXX	1050mA	152

1 dimensions



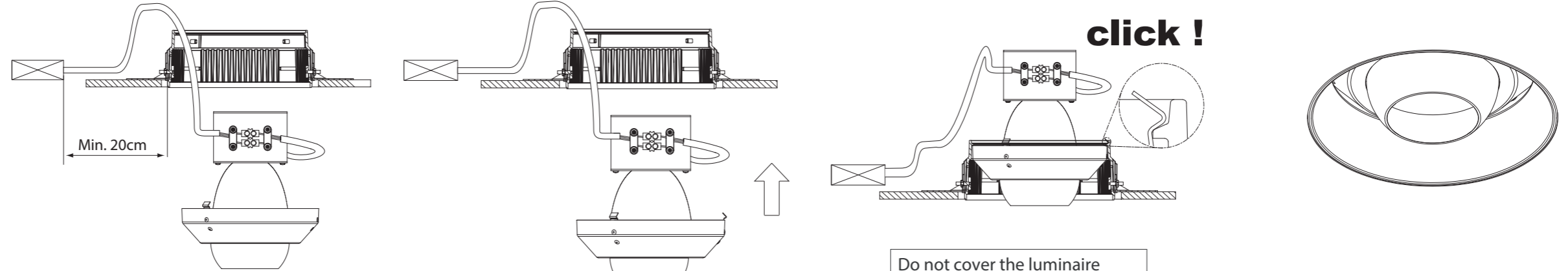
Please make sure that main voltage is disconnected before proceeding!

2 installation

To install the plasterkit. See installation manual KR8200001623.

install the reflector on the LED module. the reflector is fixed by turning it on the LED, underneath the bajonet ring

Connect the supply cable to the connector and use the strain relief .



3 installation

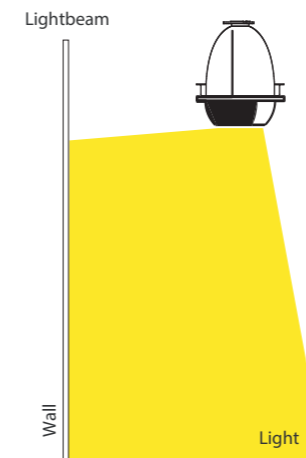
In case of transformer or ballast.

Put the assembly in the plasterkit.

Do not cover the luminaire with matting material!

To install the louvre see manual KR8170001643.

4 installation



kreon nv

Industrieweg Noord 1152  
3660 Opglabbeek  
Belgium

Tel + 32 89 81 97 80  
Fax + 32 89 81 97 90

www.kreon.com  
mailbox@kreon.be

revision date: 11/05/2016  
KR8170001692