

Name: Slend - 02

Design: Christophe Mathieu / 2014

Typology: Pendant lamp







Environment: Indoor

Technical description:

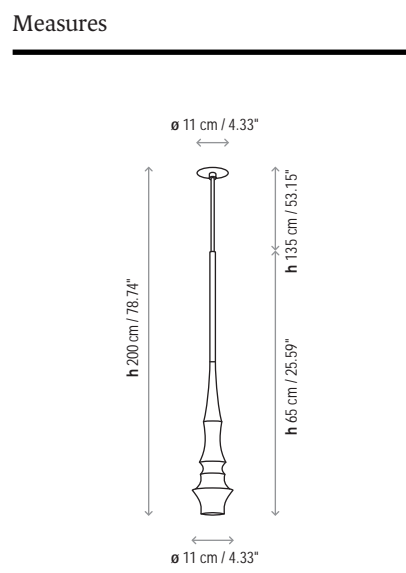
Spun aluminum pendant available in 3 different shapes, each with finish options of Brilliant Black, Brilliant White or Polished Aluminum. Copper lined aperture houses direct light source from LED lamp. Height adjustable cable in transparent for Polished Aluminum, white for Brilliant White fixtures or black for Brilliant Black fixtures.



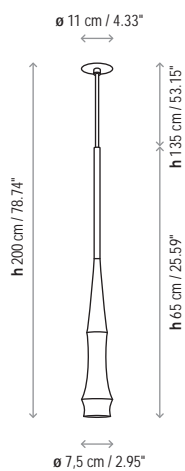
Lamps description

 Grounding: compulsory
 1 x 5 W GU10 LED
Voltage: 120V~60Hz
 1 Box 31.10 x 6.30 x 5.51 inches
Vol.: 0.6251 ft <sup>3</sup>
Weight: 6.61 lbs
Certifications:  
 Photometrics made according to the position the lights are shown in the catalogue and price list.

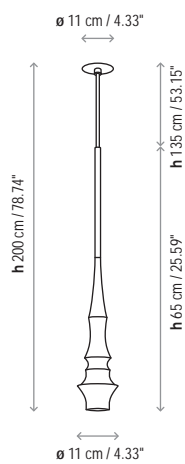
Ref	Finishings
2560220064U	Polished Aluminum Chrome Canopy Transparent Wire
2560220001U	Brilliant White White Canopy White Wire
2560220023U	Brilliant Black Black Canopy Black Wire
Special colors: RAL number to be indicated. Minimum quantity: 5 pieces.	
Adjustable height by the user	
LED bulb included	
Not Customizable	



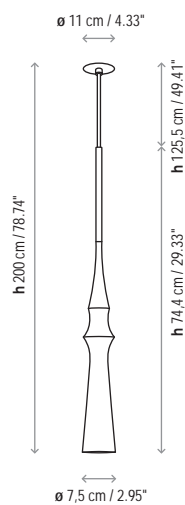
Slend - 01



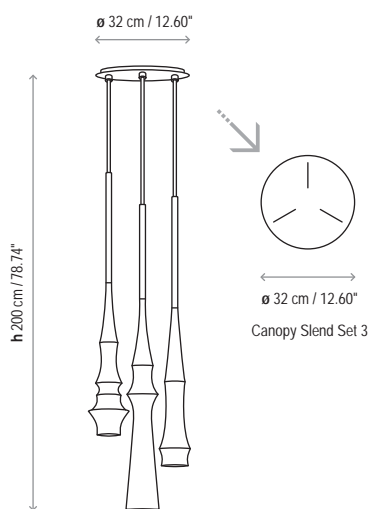
Slend - 02



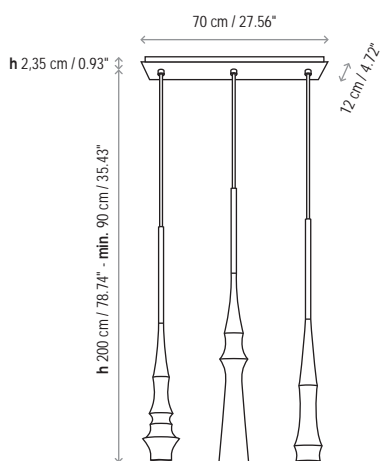
Slend - 03



Slend - Set 3 Round



Slend - Set 3 Lineal



Slend - Set 6

