

PRODUCT:

QUARTZ LIGHT

TECH SPEC

Manufactured to BS EN 60598-1:2015

Last updated: 06.09.2022 (VR)

PRODUCT

WEB LINK:

→ rothschildbickers.com/quartz-light-standard

LAMPHOLDER:

E27 fitting / ES bulb

ELECTRICAL:

AC 220–240V Nominal frequency 50Hz

MAX WEIGHT INC. 2M FLEX

Standard: 1.7kg

STANDARD CEILING ROSE:

Petite, Empire or Classic rose included –

→ rothschildbickers.com/ceiling-roses

OPTIONS

SHAPE:

Standard, Large

METAL FINISH:

Standard colours → rothschildbickers.com/metal

FLEX:

Standard colours & styles (3 core 0.75mm)

→ rothschildbickers.com/flex

Supplied standard with 2m (can be cut on site)

Extra length up to 12m on request

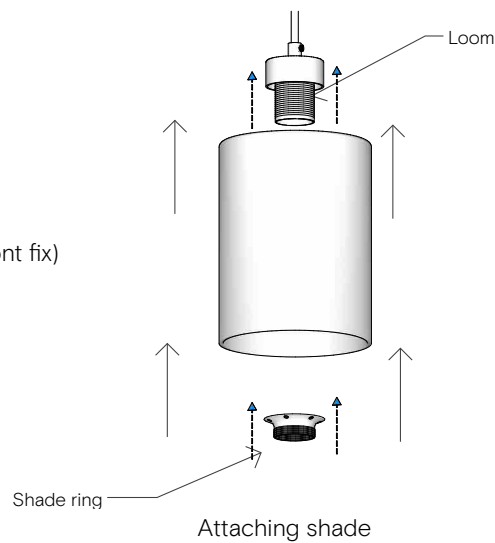
GLASS COLOUR:

Ochre, Sargasso, Bronze, Denim, Rose, Amethyst, Grey
Tea, Amber and Clear

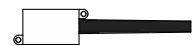


INCLUDED IN THE BOX

- 1 x Glass shade
- 1 x Electrical loom wired with flex
- 1 x Standard ceiling rose
- 1 x Ceiling rose fixings
- 3 x Wago Connectors (side fix) or junction box (front fix)
- 1 x E27 Bulb
- 1 x Installation guide

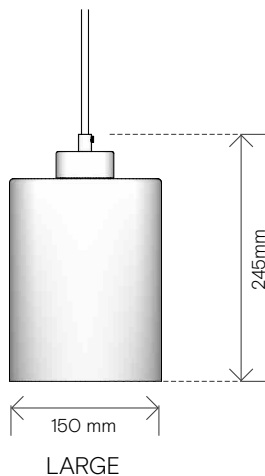


Wago Connectors

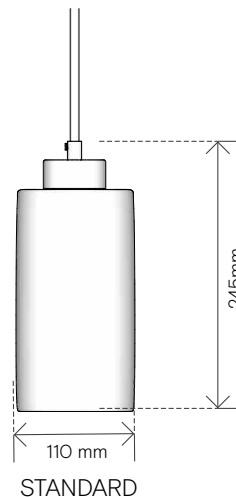


Junction Box

DIMENSIONS



LARGE



STANDARD