

PANZERI

Hilow

220-240V AC dimmable (DALI/Push DIM)

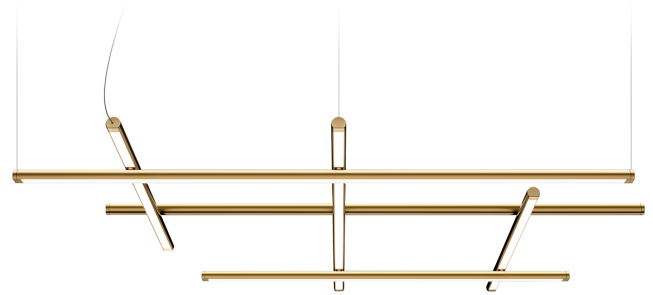
L02819.115.0502

 mat brass



Data sheet

CODE	L02819.115.0502
SYSTEM POWER CONSUMPTION	80W
EFFICACY	63.06lm/W
LIGHT SOURCE	LED
LIGHT SOURCE LIFETIME	L70 (B10) 60.000h
COLOUR TEMPERATURE	2700K Ra>90
LIGHT DISTRIBUTION	diffused
POWER SUPPLY	220-240V AC
FREQUENCY	50/60Hz
ELECTRICAL CONFIGURATION	dimmable (DALI/Push DIM)
DRIVER	integrated included
NOMINAL LUMINOUS FLUX	9072lm
LUMEN OUTPUT	5045lm
EFFICIENCY	55.6%
WEIGHT	2,80 Kg
PROTECTION DEGREE	IP20
COLOUR TOLLERANCES	SDCM 3
PACKING DIMENSIONS	87,0 x 118,0 x 14,0 cm



Suspension lighting fixture for interiors, with direct and indirect light emission. Extruded aluminium structure in white, mat black, bronze, mat brass or titanium polyacrylic paint.

Joints in turned brass and die-cast aluminium in polyacrylic paint.

Die-cast aluminium end caps in polyacrylic paint.

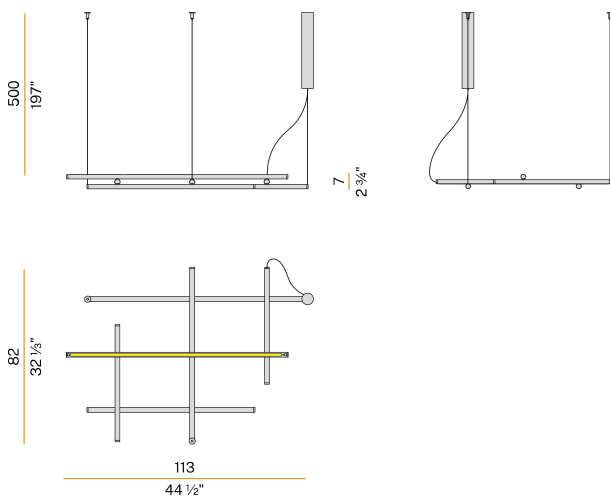
Extruded polycarbonate diffusers with opaline finish.

Reversible suspension kit with griplocks and 5m (196,9") long steel cables.

5m (196,9") long power cable in transparent PVC.

Canopy for power supply with 3 outputs, with pickled sheet metal ceiling bracket and extruded aluminium covering in white, mat black, bronze, mat brass or titanium polyacrylic paint.

Technical drawing



Polar diagram

