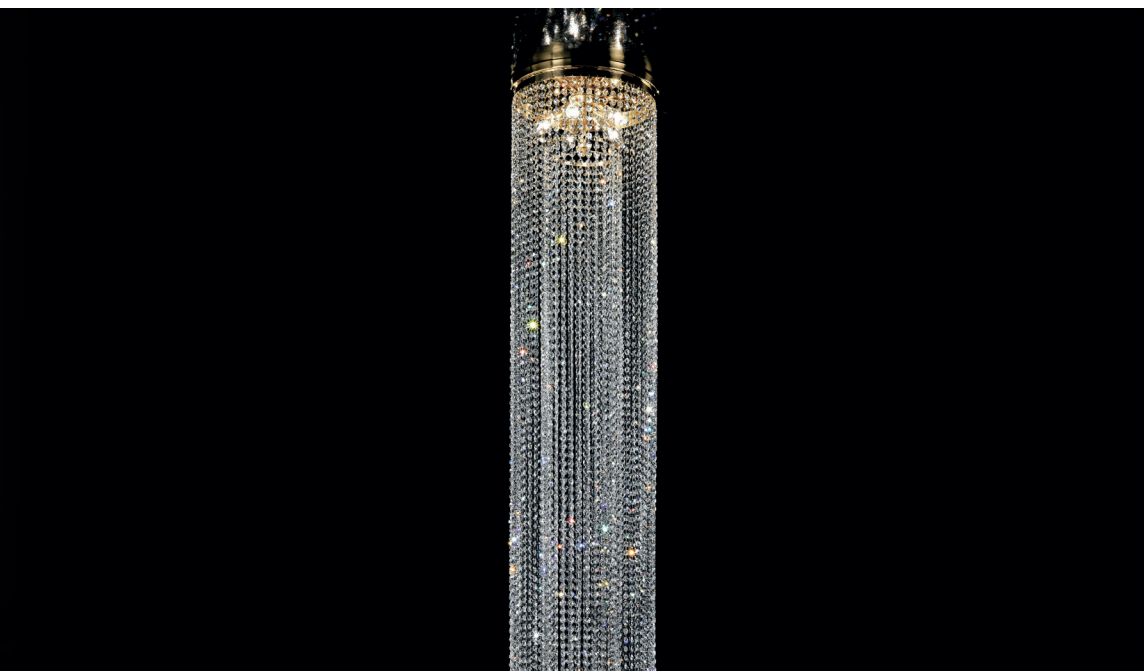


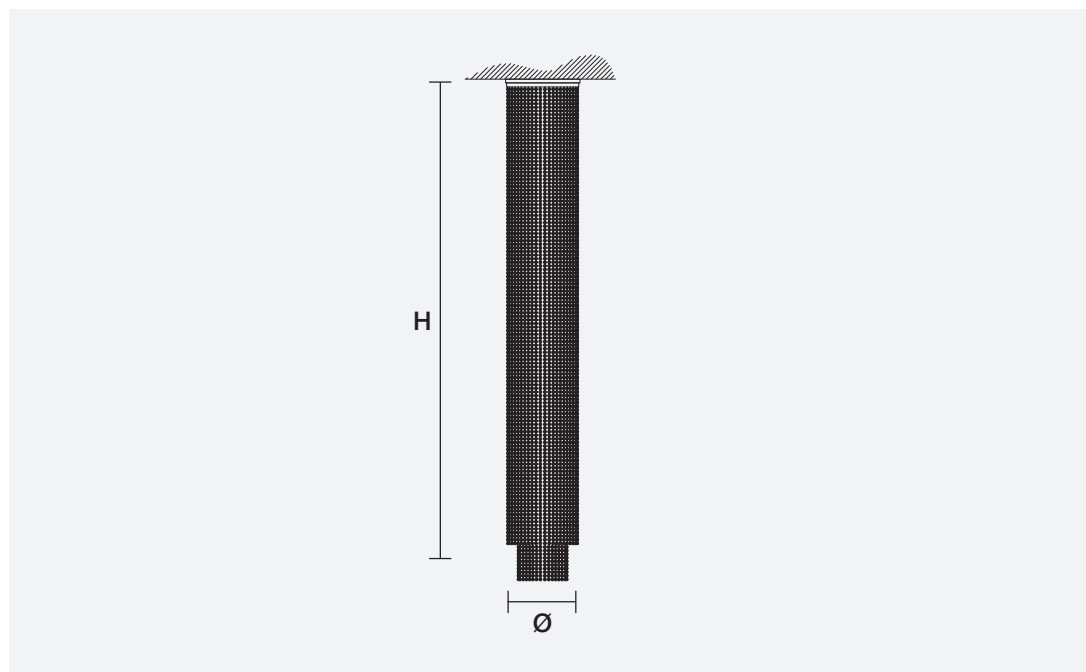
# IMPERO-DECO VE 824 PL5

Design by: Studio Stile Masiero



Telaio in ottone dorato, pendagli in cristallo.

Solid Brass gold plated frame, crystal pendants.



H 195 cm  
76.80"

Ø 40 cm  
15.80"

Peso: 25 kg

5 x E14 x 40W max  
Incandescenza/Incandescent



## MATERIALI MATERIALS

### CUT CRYSTAL

Pendagli in cristallo trasparente molato.

Pendants in transparent cut crystal.

### SWAROVSKI® ELEMENTS

Pendagli in cristallo trasparente SWAROVSKI® ELEMENTS.

Pendants in transparent SWAROVSKI® ELEMENTS crystal.

### HALF CUT GLASS

Pendagli in vetro semi-molato.

Half cut glass pendants.