

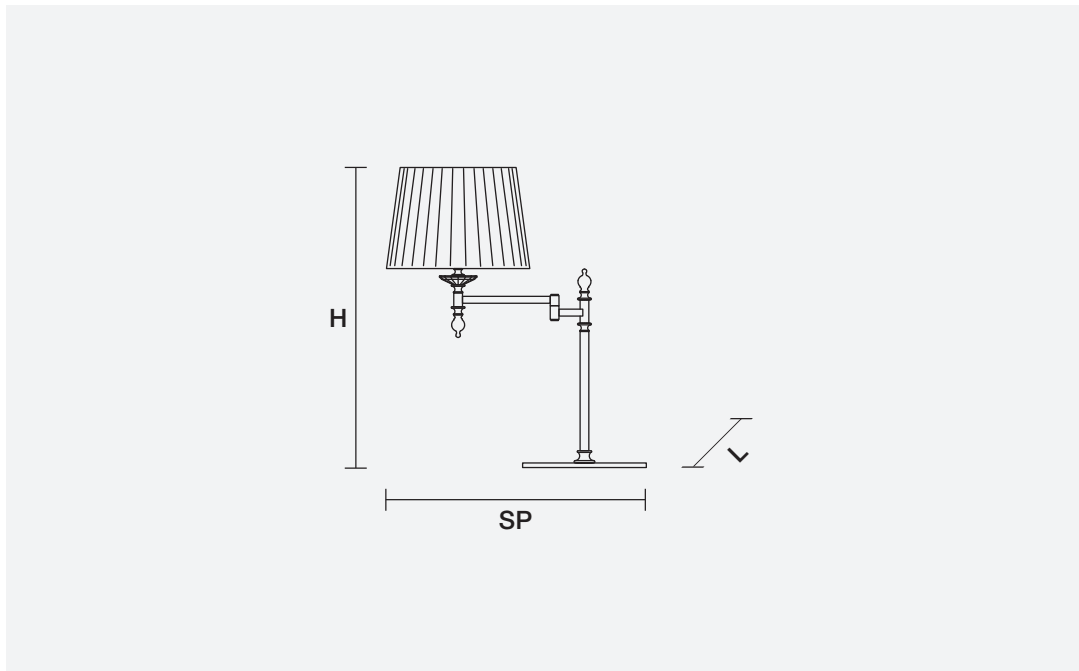
BRASS & SPOTS VE 1090 TL1

Design by: Studio Stile Masiero




Telaio in ottone dorato, paralume in tessuto pongè.

Gold plated solid brass frame, pongè lampshades.



H	64 cm 25.19"
L	30-40 cm 11.80-15.70"
SP	40-70 cm 15.70-27.50"

 1 x E27 x 60W max
Incandescenza/Incandescent



MATERIALI MATERIALS

CUT CRYSTAL

Pendagli in cristallo trasparente molato.

Pendants in transparent cut crystal.

SWAROVSKI® ELEMENTS

Pendagli in cristallo trasparente SWAROVSKI® ELEMENTS.

Pendants in transparent SWAROVSKI® ELEMENTS crystal.

HALF CUT GLASS

Pendagli in vetro semi-molato.

Half cut glass pendants.

MASIERO