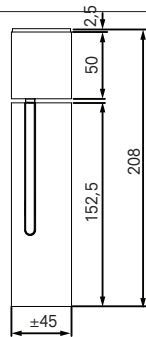


# kreon

## technics



Name	Reference	Current
Holon 40 directional surface mounted	KR96220x	700mA

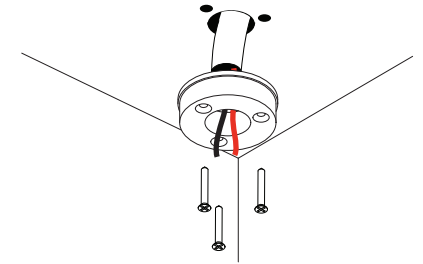
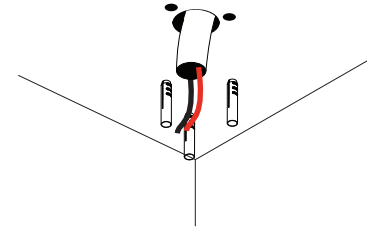
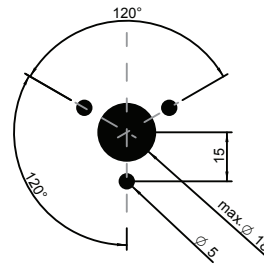
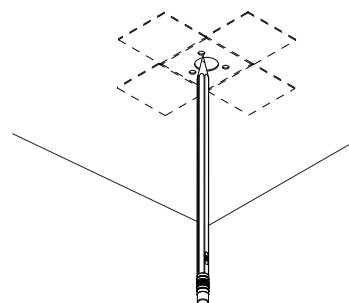
## 1 dimensions

## 2 important remark

holon 40 directional surface mounted is gear exclusive, the gear however cannot be installed above the holon on the ceiling due to the dimensions of the fixture and the position of the installation screws, there's no space left for a throughput hole for the gear. so make sure the driver is placed at a distance where it still can be reached in case of a problem

Please make sure that main voltage is disconnected before proceeding! ⚡

## 3 installation

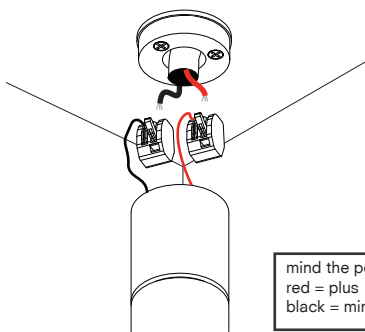


the mold that's delivered within the packaging can be used to indicate the fixation holes on the ceiling

drill three holes of  $\varnothing 5\text{mm}$  (depth min. 40mm) for the throughput

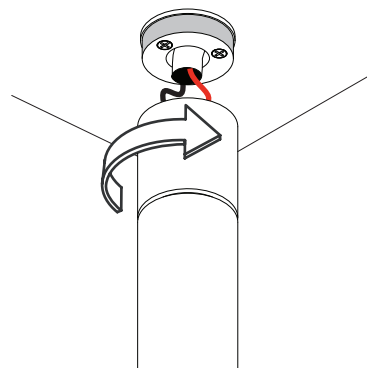
insert the plugs in the holes  
pull the connection cables through

pull the connection cables through the hole in the middle of the installation part and fix it with 3 screws

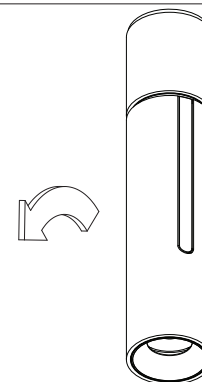


mind the polarity!  
red = plus  
black = minus

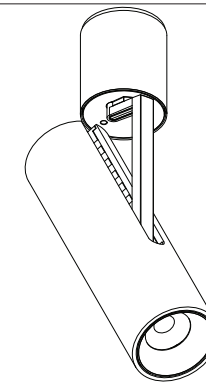
connect the wires to the connectors included in the fixture. Add the red wire to the connector with the red wire coming from the LED, add the black wire to the connector with the black wire coming from the LED



fix the rest of the fixture by screwing it onto the installation part



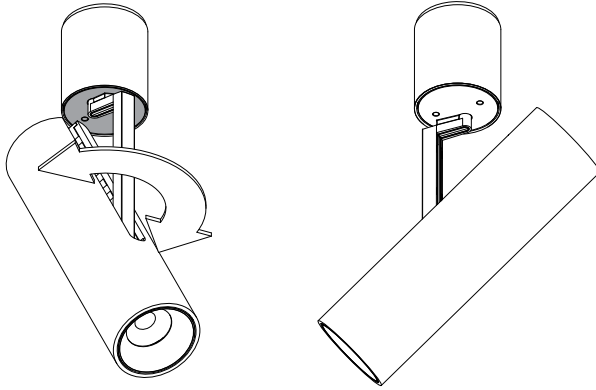
once the holon is completely installed it can be inclined in any angle up to  $90^\circ$  by pulling the tube



## installation

# kreon

## technics



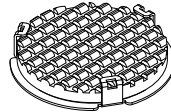
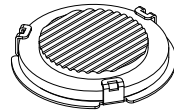
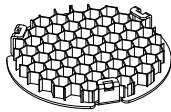
## installation

it can also be rotated for 330°

KR762000

KR762100

KR762200



## 4 accessories

in case of accessories  
check the manual KR8622102021 delivered with the accessory  
only one accessory per holon



## 5 pictures

kreon nv

Industrieweg Noord 1152  
3660 Oplabbeek  
Belgium

Tel + 32 89 81 97 80  
Fax + 32 89 81 97 90

www.kreon.com  
mailbox@kreon.be

revision date: 30/07/2015  
KR8622002067

Sheet 2/2