

PRODUCT:

EMPIRE PENDANTS

TECH SPEC

Manufactured to BS EN 60598-1:2015

Last updated: 20.07.2021 (VR)

PRODUCT

WEB LINK:

→ rothschildbickers.com/empire

LAMPHOLDER:

Short E27 fitting / ES bulb

Tall E27 fitting / ES bulb

ELECTRICAL:

AC 220–240V Nominal frequency 50Hz

MAX WEIGHT INC. 2M FLEX

Short: 1.4kg, Tall: 1.6kg

STANDARD CEILING ROSE:

Petite, Empire or Classic rose included –

→ rothschildbickers.com/ceiling-roses

OPTIONS

SHAPE:

Standard

METAL FINISH:

Standard colours → rothschildbickers.com/metal

FLEX:

Standard colours & styles (3 core 0.75mm)

→ rothschildbickers.com/flex

Supplied standard with 2m (can be cut on site)

Extra length up to 12m on request

GLASS COLOUR:

Clear only

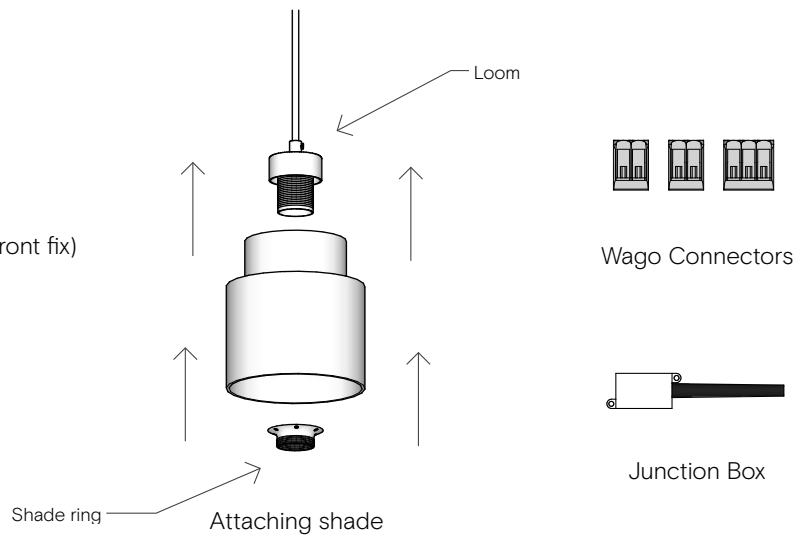
GLASS FINISH:

Plain only



INCLUDED IN THE BOX

- 1 x Glass shade
- 1 x Electrical loom wired with flex
- 1 x Standard ceiling rose
- 1 x Ceiling rose fixings
- 3 x Wago Connectors (side fix) or junction box (front fix)
- 1 x E27 Bulb
- 1 x Installation guide



DIMENSIONS

