

boverinfo@boverusa.com
www.boverusa.com**Urban S/60**

Name: Urban S/60

Design: Joana Bover / 2011

Typology: Pendant lamp

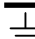
Environment: Indoor

Technical description:

Pendant lamp with iron frame, finished in brilliant chrome, with a hand wrapped translucent ribbon shade in cream, white, or red. Frosted glass diffuser included. Available in four pendant formats.




Lamps description


 Grounding: compulsory

 4 x 60 W E26 A15 INC

 4 x 5 W E26 A15 LED



 4 x 14 W E26 Triple CFL


Voltage: 120V~60Hz

 1 Box 25.59 x 25.59 x 9.84 inches

Vol.: 3.7292 ft³

Weight: 19.84 lbs

Certifications:  

 Photometrics made according to the position the lights are shown in the catalogue and price list.

Ref Finishings

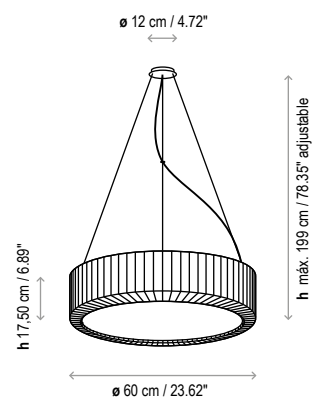
410232506BU Chrome
White Translucent Ribbon

410232506CU Chrome
Cream Translucent Ribbon

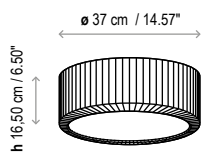
410232506RU Chrome
Red Translucent Ribbon

Customizable

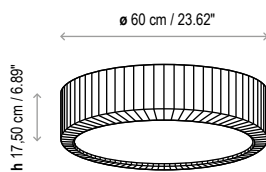
Measures



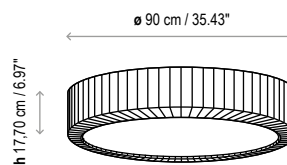
Urban PF/37



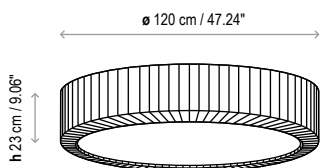
Urban PF/60



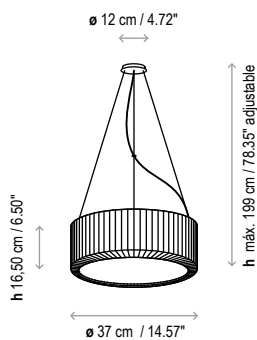
Urban PF/90



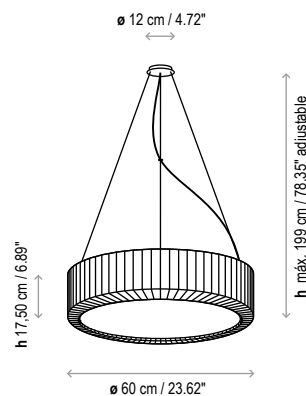
Urban PF/120



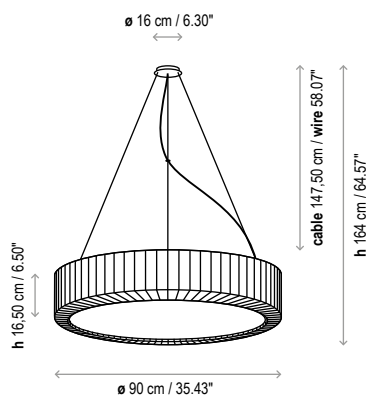
Urban S/37



Urban S/60



Urban S/90



Urban S/120

