

# X-CONNECTOR for 1 Circuit Track HV-TRACK

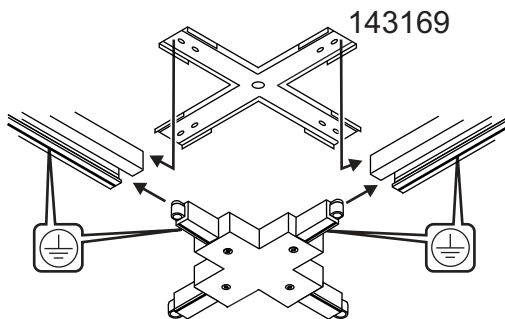
art.-no. 143160 / 143161 / 143162 / 143169



143010/11/14  
143020/21/24

230V~

16A  
max.



143160/61/62

