

boverinfo@boverusa.com
www.boverusa.com**Siam - 80**

Name: Siam - 80

Design: Joana Bover / 2010

Typology: Ceiling lamp

Environment: Indoor

Technical description:

Ceiling lamp providing diffused light through a translucent shade composed of hand wrapped polyester blend ribbon, with structure finished in satin nickel. Ribbon colors are available in white, cream and red. Frosted polycarbonate diffuser is included. This ceiling lamp can be mounted to create several group formations.




Lamps description

 Grounding: compulsory


 3 x 20 W E26 Triple CFL

 3 x 10 W E26 A19 LED

Voltage: 120V~60Hz

 1 Box 35.43 x 35.43 x 9.84 inches
Vol.: 7.1512 ft³

Weight: 15.43 lbs

Certifications:  
 Photometrics made according to the position the lights are shown in the catalogue and price list.

Ref Finishings

0132005U Satin Nickel

Lampshade:

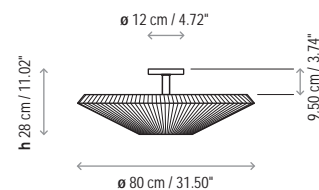
P-686CU White Translucent Ribbon

P-687CU Cream Translucent Ribbon

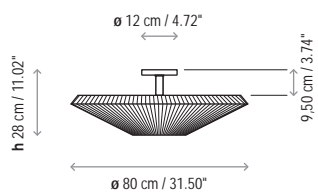
P-688CU Red Translucent Ribbon

Customizable

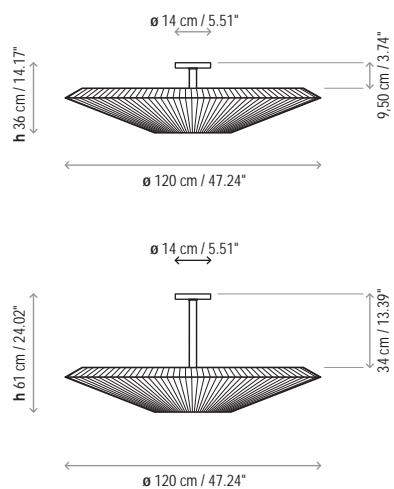
Measures



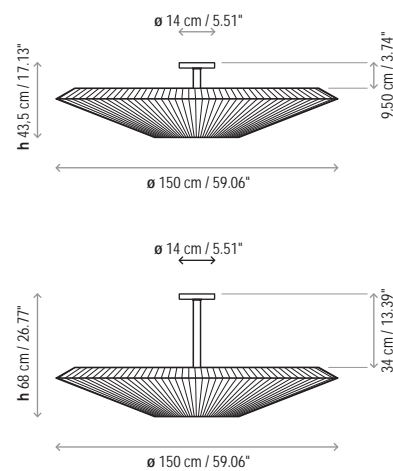
Siam - 80



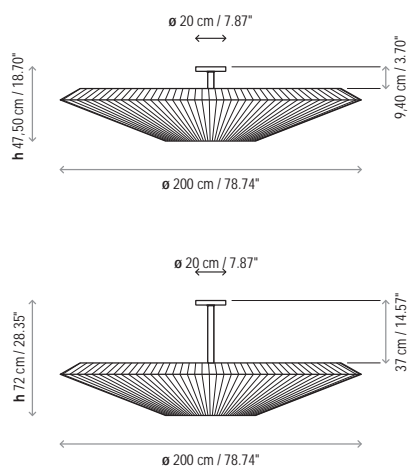
Siam - 120



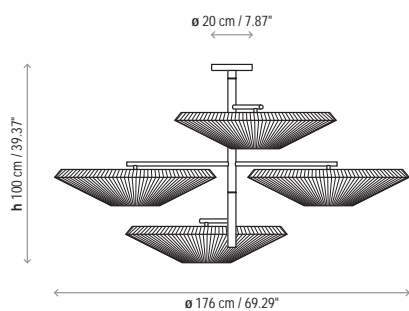
Siam - 150



Siam - 200



Siam - 4 Luces



Siam - 6 Luces

