

PANZERI

Zero Round

220-240V AC ON-OFF

A03330.025.0501

titanium



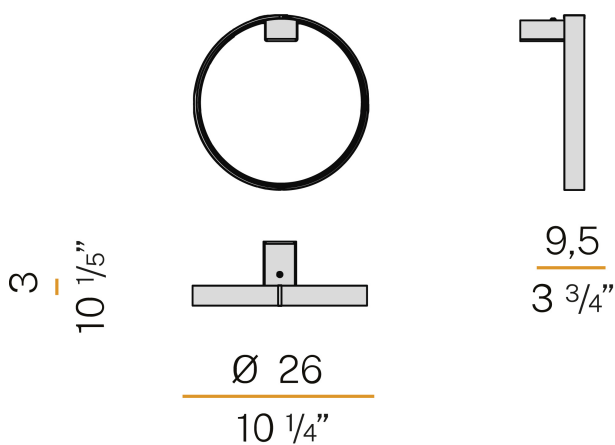
Data sheet

CODE	A03330.025.0501
SYSTEM POWER CONSUMPTION	13W
EFFICACY	61.23lm/W
LIGHT SOURCE	LED
LIGHT SOURCE LIFETIME	L70 (B50) 60.000h
COLOUR TEMPERATURE	2700K Ra>90
LIGHT DISTRIBUTION	diffused
POWER SUPPLY	220-240V AC
FREQUENCY	50/60Hz
ELECTRICAL CONFIGURATION	ON-OFF
DRIVER	integrated included
NOMINAL LUMINOUS FLUX	1024lm
LUMEN OUTPUT	796lm
EFFICIENCY	77.7%
WEIGHT	0,62 Kg
PROTECTION DEGREE	IP40
COLOUR TOLLERANCES	SDCM 3
PACKING DIMENSIONS	31,0 x 31,0 x 20,0 cm



Wall lighting fixture for interiors, with direct and indirect light emission.
Pickled sheet metal wall bracket in polyacrylic paint.
Pickled sheet metal wall plate in polyacrylic paint.
Bended extruded aluminium structure in white, black, bronze, mat brass or titanium polyacrylic paint.
Extruded polycarbonate diffuser with opaline finish.

Technical drawing



Polar diagram

