

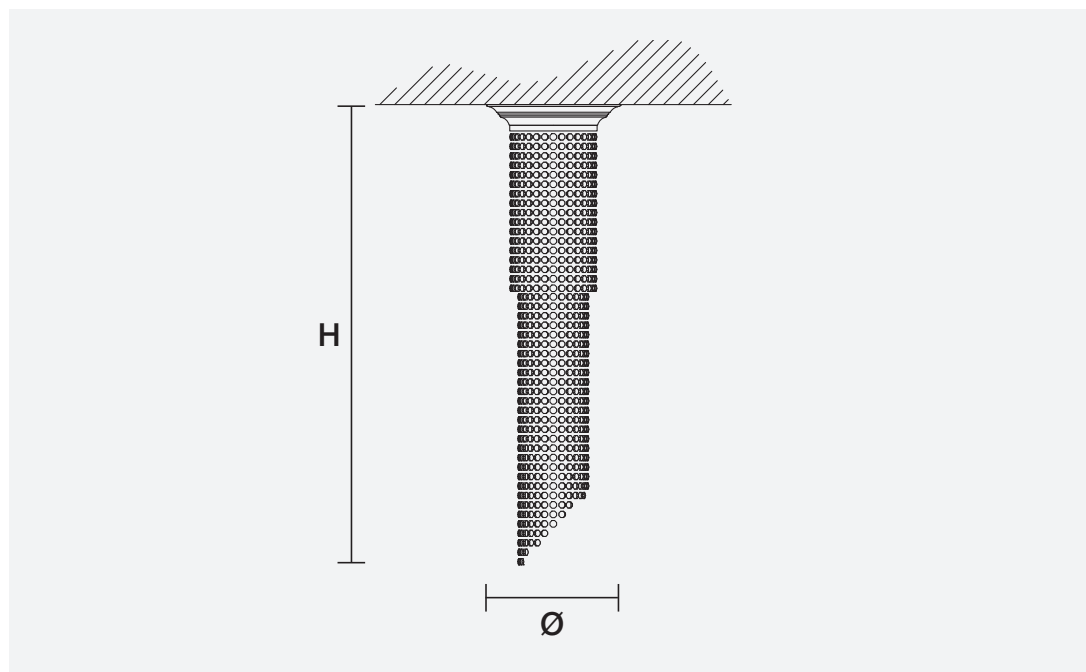
IMPERO-DECO VE 841 P

Design by: Studio Stile Masiero



Telaio in metallo cromato, pendagli in cristallo, gocce viola.


Chrome plated metal frame, crystal pendants, violet drops.



H 100 cm
39.37"

Ø 27 cm
10.63"

Peso: 4 kg

 3 x E14 x 40W max
Incandescenza/Incandescent



MATERIALI MATERIALS

CUT CRYSTAL

Pendagli in cristallo trasparente molato.

Pendants in transparent cut crystal.

SWAROVSKI® ELEMENTS

Pendagli in cristallo trasparente SWAROVSKI® ELEMENTS.

Pendants in transparent SWAROVSKI® ELEMENTS crystal.

HALF CUT GLASS

Pendagli in vetro semi-molato.

Half cut glass pendants.