

# AU REVOIR suspension

Matteo Ugolini design


ООО "Мастерская светотехники"  
8 800 100 39 72  
8 495 727 14 91  
9725087@masv.ru  
http://masv.ru

year 2015

## SE110 0B INT

## TECHNICAL SHEET


### STRUCTURE "A"

material	glass	
colour	white	

### CEILING CUP "E"

material	glass	
colour	white	

### ELECTRICAL CABLE "C"

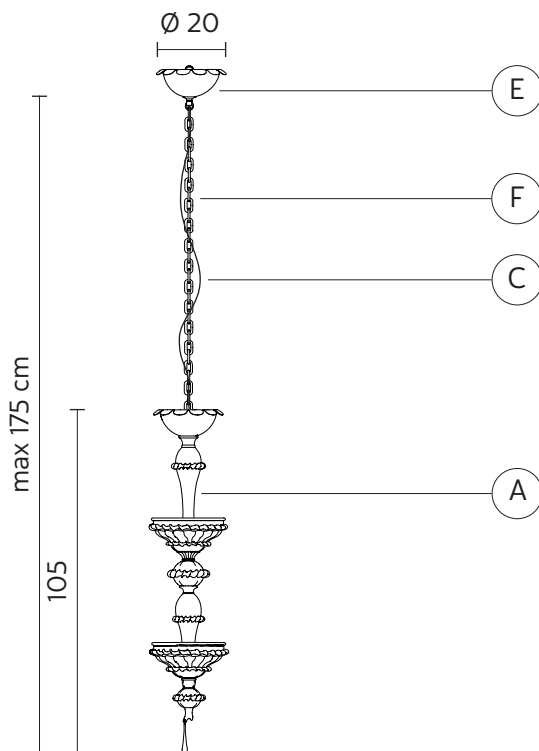
material	PVC	
colour	transparent	

### SUSPENSION CHAIN "F"

material	steel	
----------	-------	--


### PACKAGING

nr.of collis	1
net weight/kg	6,95
gross weight/kg	7,6
packaging/cm	40x40x95



## SE110 1B INT

### STRUCTURE "A"

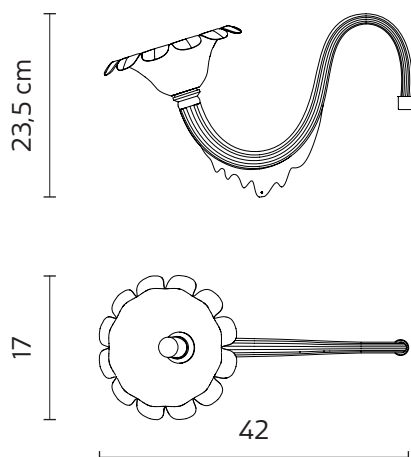
material	glass	
colour	white	

### PACKAGING

net weight/kg	1,2
---------------	-----

### ELECTRICAL SYSTEM

socket	E14
source	max 1x42w
energy class	from E to A++



## SE110 2B INT

### STRUCTURE "A"

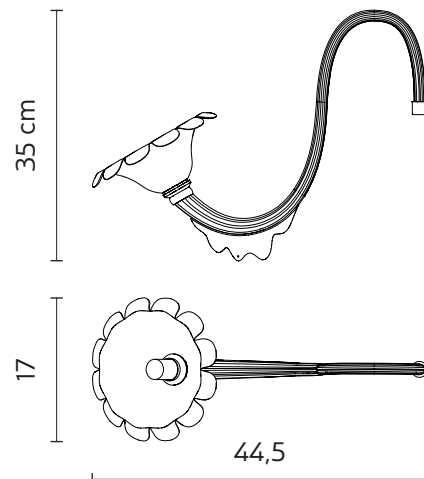
material	glass	
colour	white	

### PACKAGING

net weight/kg	1,25
---------------	------

### ELECTRICAL SYSTEM

socket	E14
source	max 1x42w
energy class	from E to A++



# AU REVOIR suspension

Matteo Ugolini design

year 2015

## SE110 3B INT

### STRUCTURE "A"

material glass  
colour white

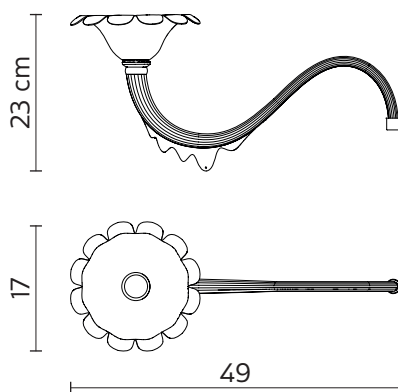


### PACKAGING

net weight/kg 1,2

### ELECTRICAL SYSTEM

socket E14  
source max 1x42w  
energy class from E to A++



## SE110 4B INT - TECHNICAL SHEET

### STRUCTURE "A"

material glass  
colour white

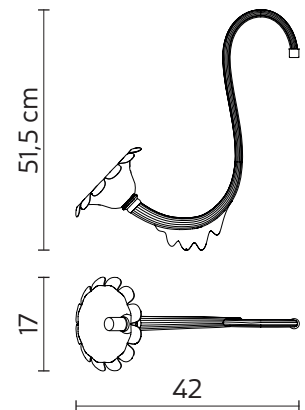


### PACKAGING

net weight/kg 1,35

### ELECTRICAL SYSTEM

socket E14  
source max 1x42w  
energy class from E to A++



## SE110 5B INT

### STRUCTURE "A"

material glass  
colour white

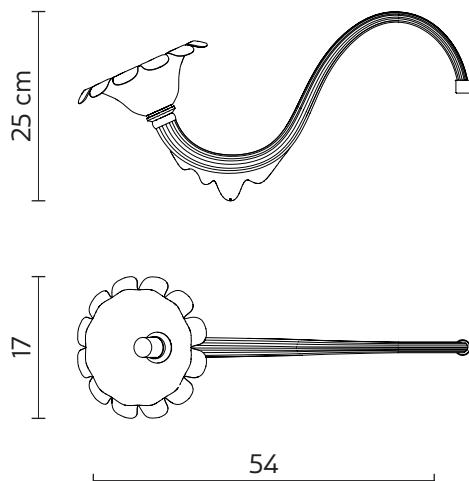


### PACKAGING

net weight/kg 1,25

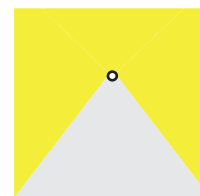
### ELECTRICAL SYSTEM

socket E14  
source max 1x42w  
energy class from E to A++



### EMISSION OF LIGHT

unidirectional



direct  
filtered  
indirect  
none

### CERTIFICATION

IEC 60598-1:2008  
EN 60598-1:2008 + A11:2009



ip rate  
bulb

IP20  
optional



code **700C**  
decorative bulb  
E14 - 30w - ≤60 lumen  
class E

# AU REVOIR suspension

Matteo Ugolini design

year 2015

## AC110 1B INT

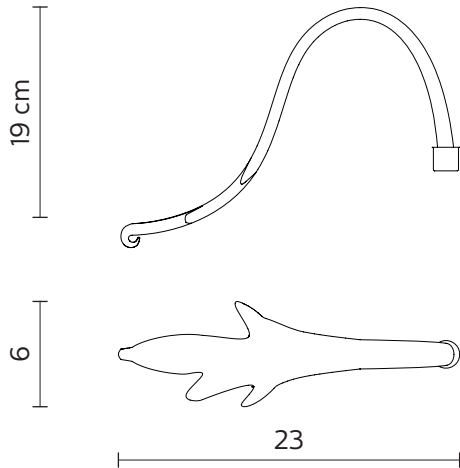
### STRUCTURE "A"

material glass  
colour white



### PACKAGING

net weight/kg 0,2



## AC110 2B INT

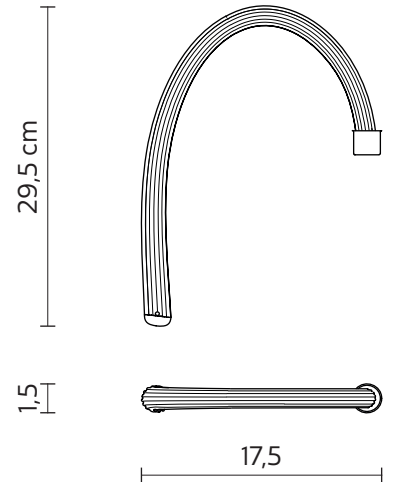
### STRUCTURE "A"

material glass  
colour white



### PACKAGING

net weight/kg 0,15



## AC110 3B INT

### STRUCTURE "A"

material glass  
colour white



### PACKAGING

net weight/kg 0,02

