

LONG LANTERN | LONG LANTERN - WALL SCONCE - 150 | LL-150-WS



DESCRIPTION

An extension of the existing 'Long Lantern' collection now also available as a matching wall lantern/sconce. Illuminated by a GU.10 Halogen or LED downlight.

PRODUCT SIZE

SHADE SIZE: 150W X 1000H MM / TOTAL SIZE: 170X220X-1120MM

PACKAGING DIMENSIONS

300MM(W) X 300MM(L) X 340MM(H)



LAMP TYPE & NO

1 X GU.10 50W (50W) OR 1X GU.10 3-5W LED

CLASS I
IP RATING 20
QC RATING 21

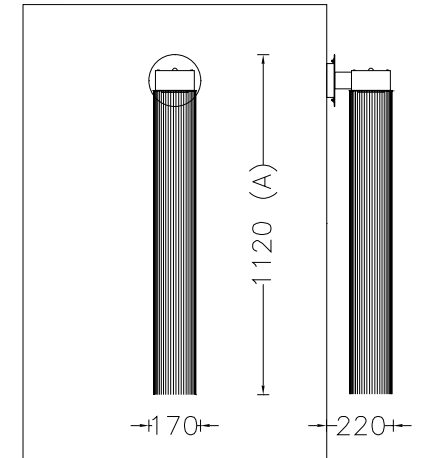
VOLTAGE RANGE
110-240V

PRODUCT MARKS & RATINGS



WEIGHT 4KG
PACKED 7KG
WEIGHT

TECHNICAL DRAWING



INTERACT

SELECT COLOUR

- SILVER *
- BRASS *
- COPPER *
- SMOKE *
- MIXED METALIC *
- RUST *
- WHITE
- RED
- BLACK

* METALLIC

CUSTOMISE DIMENSIONS

A

B

LAMP TYPE

QUANTITY

ADDITIONAL COMMENTS

WEB LINK