

PRODUCT:

TIERED LIGHT -5 DROP CLUSTER

TECH SPEC

Manufactured to BS EN 60598-1:2015

Last updated: 22.07.2021 (VR)

PRODUCT

WEB LINK:

→ rothschildbickers.com/tiered-clusters

LAMPHOLDER:

Standard E14 fitting / SES bulb

ELECTRICAL:

AC 220-240V Nominal frequency 50Hz

MAX WEIGHT INC. 2M FLEX

Standard: 9KG

CEILING PLATE:

Standard: 442mm

MINIMUM DROP

Standard: 1770mm



OPTIONS

SHAPE:

Standard

METAL FINISH:

Plates available in powder coated White only
Looms available in Polished Brass, Antique Brass, Polished Nickel & Matte Bronze

FLEX:

Standard colours & styles (3 core 0.75mm)

→ rothschildbickers.com/flex

Supplied standard with 2m (including chain, can be cut on site)
Extra length up to 12m on request (*includes chain)

GLASS COLOUR:

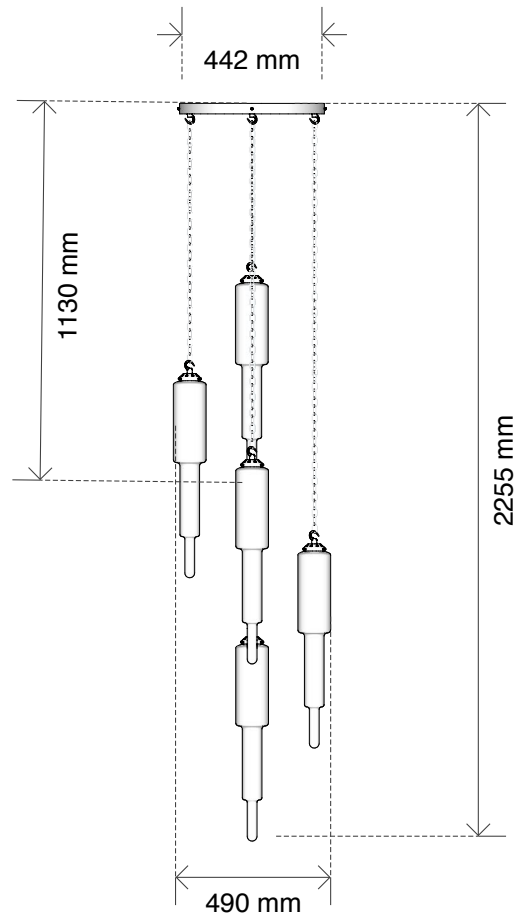
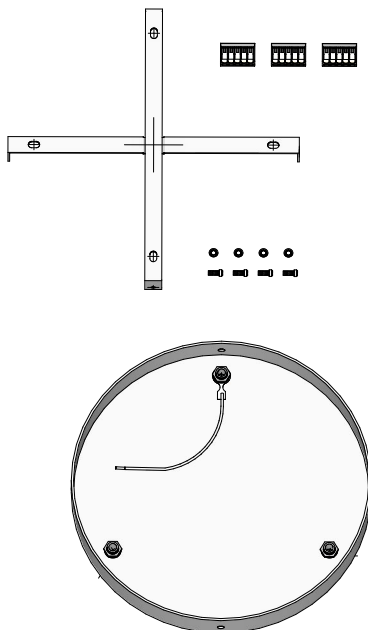
Clear only

GLASS FINISH:

Optic only

INCLUDED IN THE BOX & DIMENSIONS

- 5 x Glass shades
- 5 x Electrical looms wired with flex & chain
- 1 x Standard 442mm D ceiling plate
- 1 x Ceiling plate back strap & fixings
- 4 x Side fixing screws
- 5 x Wago connectors & earth lead
- 5 x E14 Bulbs
- 1 x Installation guide



Recommended drop height shown (2250mm)
*Minimum 1770mm