

NANDO suspension

Luca De Bona and Dario De Meo design

ООО "Мастерская светотехники"
8 800 100 39 72
8 495 727 14 91
9725087@masv.ru
http://masv.ru

year 2015

TECHNICAL SHEET - SE109 10 INT

STRUCTURE "A"

material metal
colour gold



CEILING CUP "E"

material metal
colour matt black

ELECTRICAL CABLE "C"

material fabric cable
colour black



ELECTRICAL SYSTEM

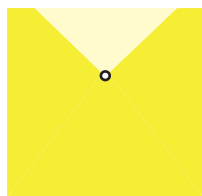
socket E27
source max 1x77w
energy class da E a A++

PACKAGING

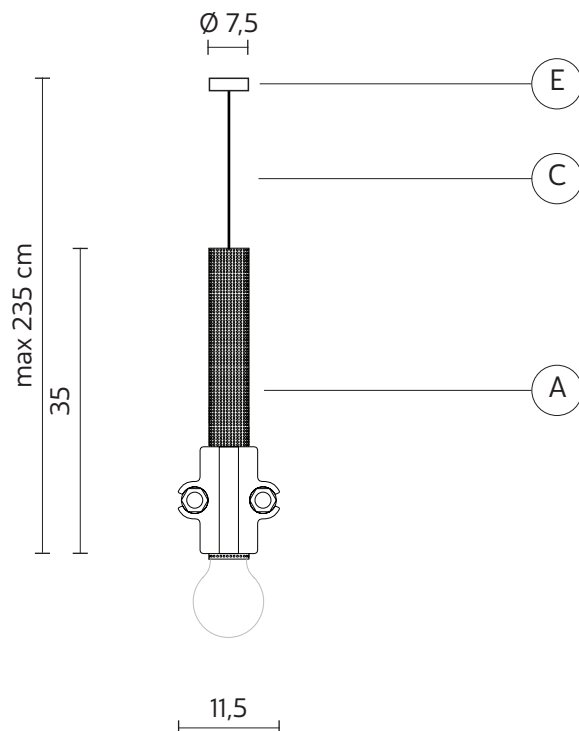
nr. of collis 1
net weight/kg 1,7
gross weight/kg 2
packaging/cm 32x25x32

EMISSION OF LIGHT

one-directional



direct
filtered
indirect
none



CERTIFICATION

IEC 60598-1:2008
EN 60598-1:2008 + A11:2009



IP rate IP20
bulb optional



item number **700L**
decorative bulb
E27 - 25w - ≤ 60 lumen
class E

these items are special, decorative bulbs not for illumination purposes

COLLECTION

