

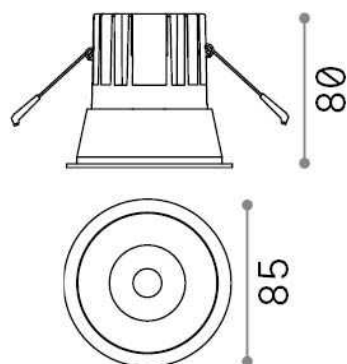
## General info

## Technical - Recessed lights



|                     |                                      |
|---------------------|--------------------------------------|
| <b>Ean</b>          | 8021696313191                        |
| <b>Item</b>         | GAME TRIM ROUND 11W 3000K WH WH IP65 |
| <b>Installation</b> | Recessed lights                      |
| <b>Guarantee</b>    | 5 years                              |
| <b>Gross weight</b> | 0.15 kg                              |
| <b>Volume</b>       | 0.001634 m <sup>3</sup>              |

## Technical info



|                                |  |
|--------------------------------|--|
| <b>Net weight</b>              | 0.07 kg  |
| <b>Insulation class</b>        | II   |
| <b>Protection index</b>        | IP20   |
| <b>Compliance</b>              | CE   |
| <b>Operating temperature</b>   | 0° ~ +40 °C  |
| <b>Dimmer</b>                  | NO, On-Off   |
| <b>Power output</b>            | 220-240 V AC 50/60 Hz  |
| <b>Power supply</b>            | Separate, included<br>Replaceable (by qualified operators only),<br>electronic |
| <b>Recessed specifications</b> | Ø 75 - h. ≥ 150 , 5-40   |
| <b>Front protection index</b>  | IP65 [DO NOT COVER]  |

## Source info

|                               |                       |
|-------------------------------|-----------------------|
| <b>Integrated source</b>      | Integrated LED module |
| <b>Replaceable source</b>     | No                    |
| <b>Power</b>                  | 11 W                  |
| <b>Emission</b>               | Direct                |
| <b>Max consumption</b>        | max 11,00 W           |
| <b>Features LED</b>           | LED COB CREE          |
| <b>CCT LED</b>                | 3000 K                |
| <b>Duration LED (t. 25°C)</b> | 50000 h               |
| <b>CRI</b>                    | > 80                  |
| <b>Light beam</b>             | 36°                   |
| <b>UGR Maximum</b>            | < 19                  |
| <b>Light beam flux</b>        | 1100 lm               |
| <b>Useful light flux</b>      | 980 lm                |
| <b>Photobiological risk</b>   | 1                     |