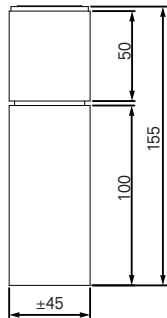


# kreon

## technics



Name	Reference	Current
Holon 40 fixed	KR96260x	700mA
Holon 40 fixed	KR96270x-XXXX-XX	700mA

## 1 dimensions

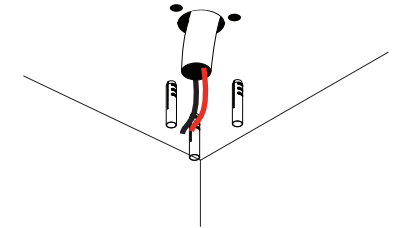
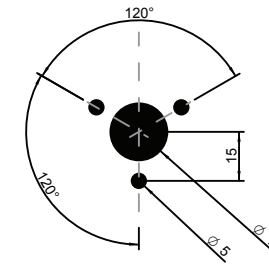
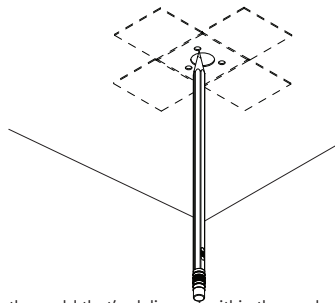
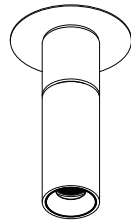
## 2 important remark

holon 40 fixed is gear exclusive, the gear however cannot be installed above the holon on the hollow ceiling. due to the dimensions of the fixture and the position of the installation screws, there's no space left for a throughput hole for the gear. so make sure the driver is placed at a distance where it still can be reached in case of a problem

Please make sure that main voltage is disconnected before proceeding! ⚡

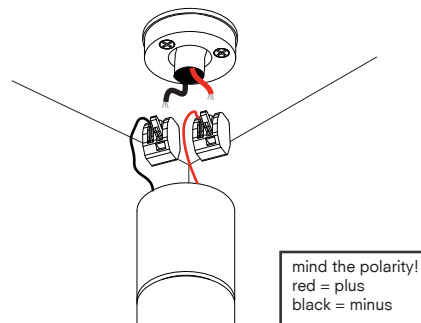
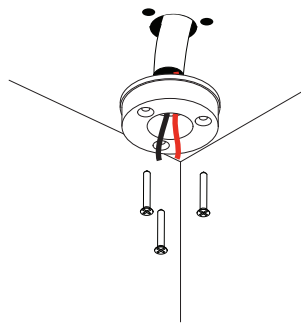
Remark:

in case of using a standard junction box or in case of installation on concrete ceiling, the accessory KR76250x can be used check the manual delivered with KR76250x for more information

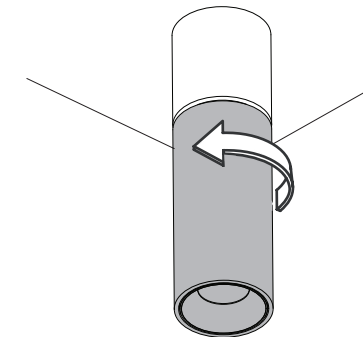
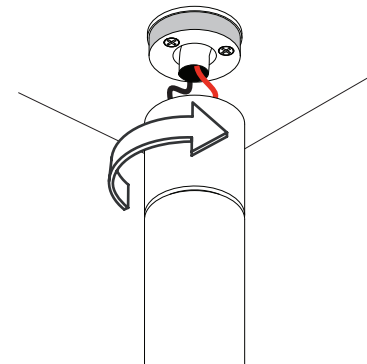


## 3 installation

the mold that's delivered within the packaging can be used to indicate the fixation holes on the ceiling  
 drill three holes of  $\varnothing 5\text{mm}$  (depth min. 40mm) for the plugs and one hole in the middle of  $\pm 18\text{mm}$  for the cable  
 pull the connection cables through



mind the polarity!  
 red = plus  
 black = minus



## installation

pull the connection cables through the hole in the middle of the installation part and fix it with 3 screws

connect the wires to the connectors included in the fixture. Add the red wire to the connector with the red wire coming from the LED, add the black wire to the connector with the black wire coming from the LED

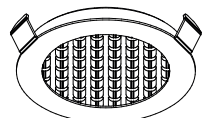
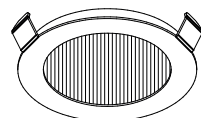
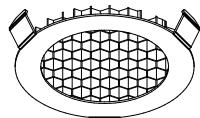
fix the rest of the fixture by screwing it onto the installation part

if necessary: the led section of the holon can be reached by unscrewing the tube part only

KR762000

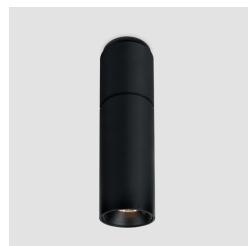
KR762100

KR762200



in case of accessories  
check the manual KR8622102021 delivered with the accessory  
only one accessory per holon

### 3 accessories



### 4 pictures