

# LANTERN | LANTERN - WALL SCONCE - 400 | LANTERN-400-WS



## DESCRIPTION

An extension of the existing 'Lantern' collection now also available as a matching wall sconce. Illuminated by 1x G9 Halogen/LED bulb within handmade clear or sandblasted pyrex glass ball with OR by 1x E27 vintage style LED bulb.

## PRODUCT SIZE

SHADE SIZE: 400 X 250W MM / TOTAL HEIGHT: 790MM

## PACKAGING DIMENSIONS

510MM(W) X 620MM(L) X 320MM(H)



## LAMP TYPE & NO

1 X G9-HALOGEN 18-40 WATT LAMPS OR 1X G9-2.5W LED. OR 1 X E12/14 OR E26/27 LED

CLASS II  
IP RATING 54  
QC RATING 21

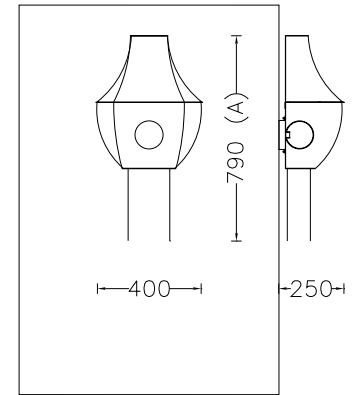
 VOLTAGE RANGE  
110-240V

PRODUCT MARKS & RATINGS



WEIGHT 3KG  
PACKED 6KG WEIGHT

## TECHNICAL DRAWING



## INTERACT

### SELECT COLOUR

- SILVER \*
- BRASS \*
- COPPER \*
- SMOKE \*
- MIXED METALIC \*
- RUST \*
- WHITE
- RED
- BLACK

\* METALLIC

### CUSTOMISE DIMENSIONS

A

B

### LAMP TYPE

QUANTITY

### ADDITIONAL COMMENTS

WEB LINK 