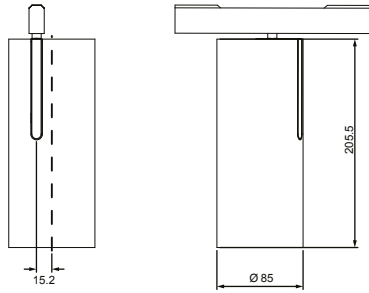


Technics



Name

holon 80 directional on track

Reference

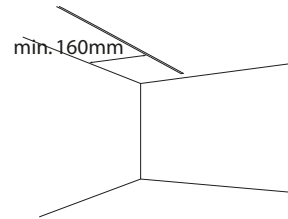
KR96224x-XXXX-XX-XX

Voltage

230v

1 Dimensions

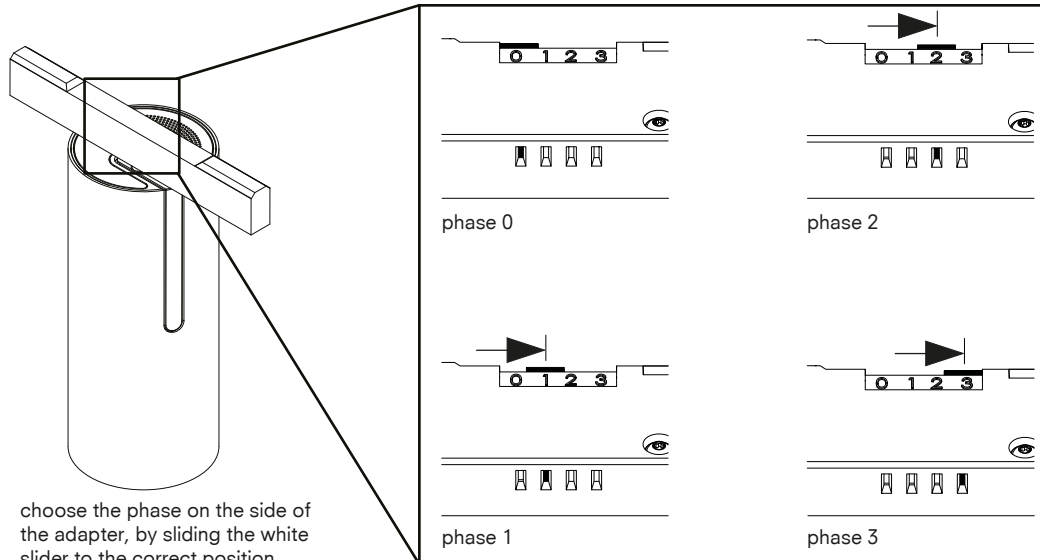
Please make sure the main voltage is disconnected before proceeding!



provide tracksystem, max. 3 circuits 230/240V
to be used with EUTRAC® 3~ track system only

check the installation manual of the specific chosen Eutrac

2 Installation profile



choose the phase on the side of the adapter, by sliding the white slider to the correct position

3 Installation

Kreon nv

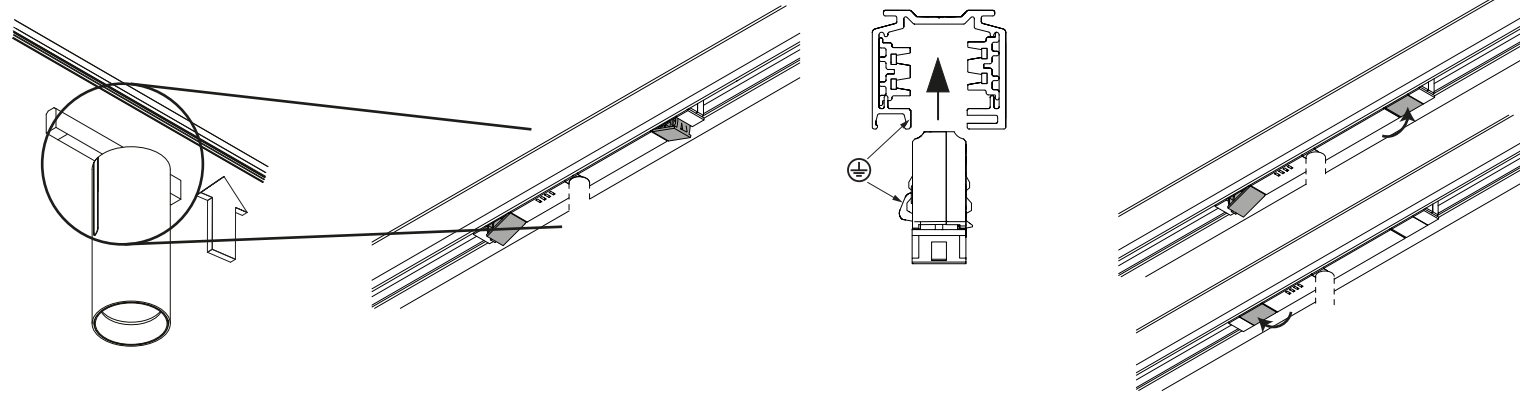
Industrieweg Noord 1152
3660 Opglabbeek
Belgium

Tel +32 89 81 97 80

www.kreon.com
mailbox@kreon.be

revision date 21/03/2017
KR8000002225

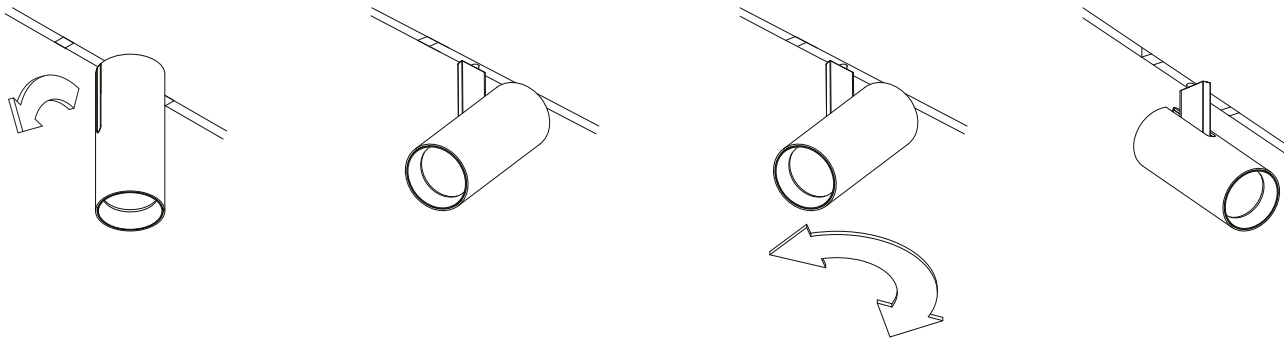
Sheet 1/3



Installation

mount the holon into the profile

fix the adapter into the profile by closing both ends



Installation

once the holon is completely installed
it can be inclined in any angle up to 90° by pullin the tube

it can also be rotated for 330°



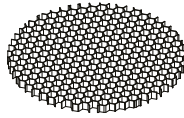
4 | dismantling

in order to dismount the adapter, pull back the little lip at the end of the adapter until the adapter clicks open
repeat this for both sides of the adapter

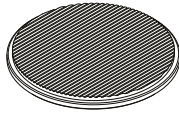
kreon

in case of accessories

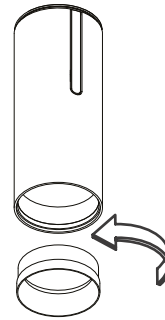
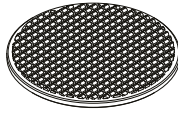
KR726473



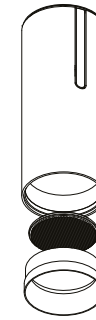
KR726100



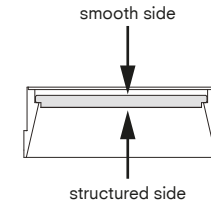
KR726200



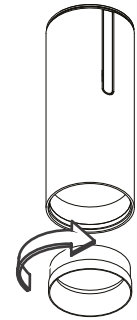
unscrew the louvre in order
to take it out of the fixture



place the accessory in
the louvre



in case of diffusing/sculpture lens:
place the structured side downwards



screw the louvre + the accessory
back in

5 accessories



6 pictures