

HEATHFIELD & CO

PRODUCT SPECIFICATION SHEET

Table Lamp | BUBBLE SMOKE

LAMP BASE

Material: Glass
Finish shown: Smoke
Metalwork: Polished Chrome
Code: TL-BUBB-CHRO-SMOK

LAMPSHADE AS SHOWN

16" Bubble Oval Herb Silk
Shade code: SH-16-BUOV
Shade lining: Silver PVC

FLEX

1.5 metres of Black twisted flex. Alternative colours can be specified from our collection.

SWITCHING & PLUG

Black 13 AMP UK plug & inline switch.
Alternative plug types available.

BASE WEIGHT

2.5 kg approx.

LAMPING

1 x E27 Lampholder - 60W max. LED bulb recommended.

WARRANTY

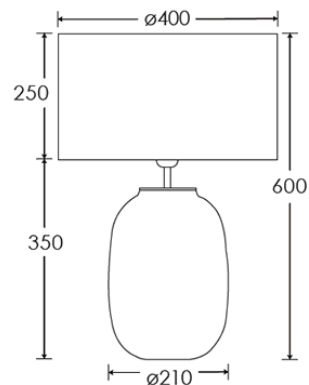
12 Months

FINISHING NOTE

All our glasswork is hand blown and will vary from piece to piece - variations in form and proportion. Colour formation, pattern and finishing details are unique to each lamp and it is part of the charm that no two products are exactly the same.

CLEANING INSTRUCTIONS

The finishes on this luminaire only require regular cleaning with a soft dry duster. Abrasive or chemical cleaners may harm the finish and should not be used. Shade to be dusted with a clean dry cloth.



Dimensions in mm and approximate

H&CO

Decorative lighting
for beautiful spaces

www.heathfield.co.uk | + 44 (0) 1732 350450 | sales@heathfield.co.uk
Unit 1, Priory Road, Tonbridge, Kent, TN9 2AF, United Kingdom

This specification is subject to our standard Terms & Conditions, a copy of which can be found at heathfield.co.uk
© 2020 Heathfield & Co. All rights reserved.