

# Heathfield&Co

## Product Specification Sheet

FLOOR LAMP | LEON



### PRODUCT INFORMATION

Base Code: FL-LEON-SBRS-MOCHA  
Material: Metal & Travertine  
Metalwork: Satin Brass  
Finish shown: Mocha  
Lampshade: 12" Leon Drum / SH-12-LEON  
Flex: UK & EU 1.5 metres of Black braided flex /  
US Black braided cable

### TECHNICAL INFORMATION

Weight: 7.2kg / 15.8lbs  
Plug: Black 13amp UK plug /  
Black Schuko EU plug / Black US polarised plug  
Switching: Black foot switch  
Lamping: 1x E27 lampholder / 1x E26 US lampholder  
60W max. LED lamps recommended.  
Lamps not included

BASE HEIGHT: 1510 mm / 59<sup>1</sup>/<sub>2</sub>"  
TOTAL HEIGHT: 1510 mm / 59<sup>1</sup>/<sub>2</sub>"  
BASE WIDTH: 300 mm / 12"  
SHADE WIDTH: 300 mm / 12"

UKCA / CE / WIRED USING US COMPONENTS

### WARRANTY

10 years\*

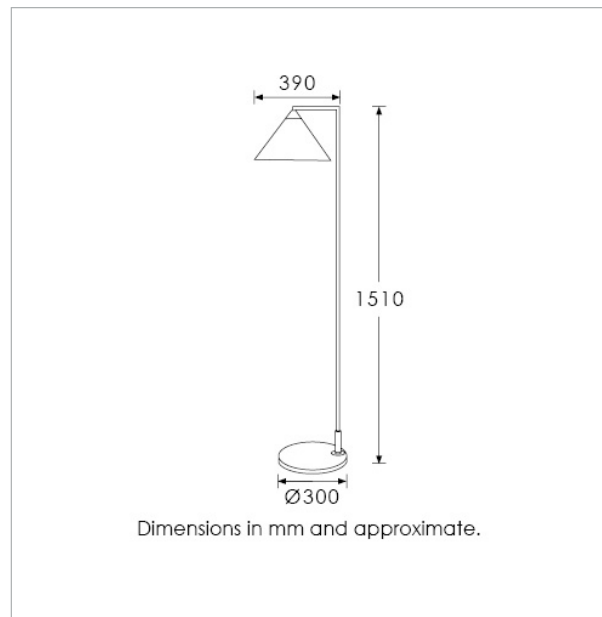
### FINISHING NOTE

Travertine is a natural material with distinctly unique formations, markings and colouration. It is part of its charm that no two lamps are exactly the same. All metalwork is handcrafted and may vary from piece to piece with slight variations in finish and detailing.

### CLEANING INSTRUCTIONS

The finishes on this luminaire only require regular cleaning with a soft dry duster. Abrasive or chemical cleaners may harm the finish and should not be used. Shade to be dusted with a clean dry cloth.

\*Please refer to our Terms & Conditions for further information.



H&CO

LIGHT BEYOND DESIGN