

# ALIBABIG floor lamp


Matteo Ugolini design

ООО "Мастерская светотехники  
8 800 100 39 72  
8 495 727 14 91  
9725087@masv.ru  
http://masv.ru


year 2012

## TECHNICAL SHEET - H625V-EXT

### STRUCTURE "A"

material	fiberglass	
colour	white	

### ELECTRICAL CABLE "C"

material	neoprene	
colour	green	

### ELECTRICAL SYSTEM

socket	E27
source	max 4x23w
energy class	from E to A++

### PACKAGING

nr. of collis	1
net weight/kg	11
gross weight/kg	16,1
packaging/cm	62x75x139

### EMISSION OF LIGHT

one-directional

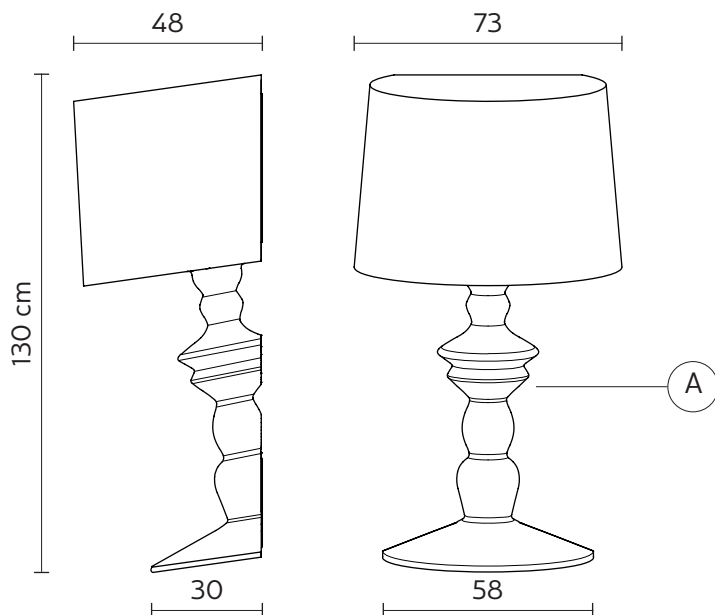


### CERTIFICATION

IEC	60598-1:2008
EN	60598-1:2008 + A11:2009



IP rate	IP65
bulb	class A equipped



### COLLECTION

available also as: tavolo, wall lamp and suspension

