

# SETTENANI COLLECTION "MAMMOLO" suspension

Matteo Ugolini design

year 2014

## TECHNICAL SHEET - SE685N5-EXT

### STRUCTURE "A"

material	concrete	
colour	grey	

### ELECTRICAL CABLE "C"

material	neoprene	
colour	green	

### ELECTRICAL SYSTEM

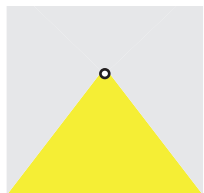
source	kit led
energy class	from A to A++




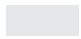
### PACKAGING

nr. of collis	1
net weight/kg	5,75
gross weight/kg	6,75
packaging/cm	35x35x38

### EMISSION OF LIGHT

one-directional



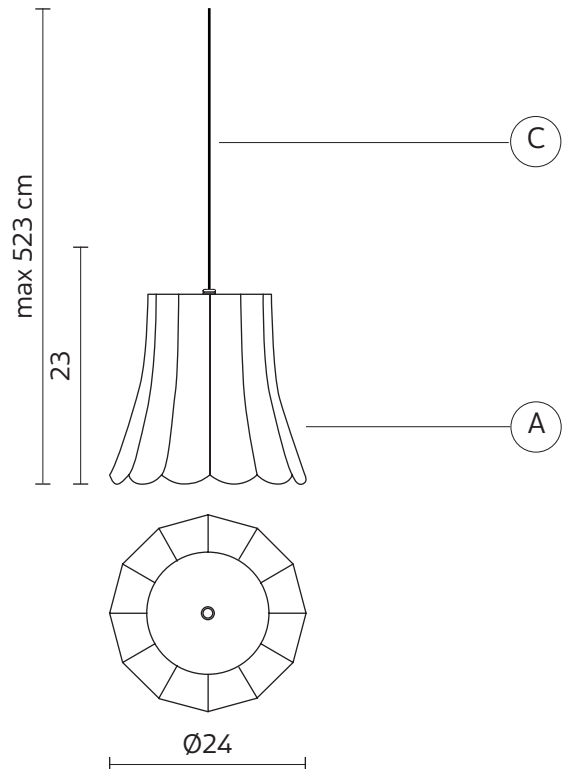
	direct
	filtered
	indirect
	none

### CERTIFICATION

IEC	60598-1:2008
EN	60598-1:2008 + A11:2009



IP rate	IP65
bulb	equipped
	KIT LED 17,5w
	700 lumen - 3200 K°



### COLLECTION

available also as: table lamp and floor lamp

