

Name: Danona - Mesa

Design: Joana Bover / 2002

Typology: Table lamp





Environment: Indoor

Technical description:


Table lamp with iron structure available in satin nickel, nickel with dark leather trim and nickel with light leather trim finishing. Lampshade available in cotton and white or cream translucent polyester blend hand wrapped ribbon. Includes a polycarbonate diffuser.



Lamps description

	1 x 60 W E26 A15 INC
	1 x 5 W E26 A15 LED
	1 x 13 W GU24 T2 CFL
	1 x 10W GU24 A15 LED


Voltage: 120V~60Hz

 1 Box 21.26 x 21.26 x 14.17 inches

Vol.: 3.9623 ft³

Weight: 6.61 lbs

Certifications:  

 Photometrics made according to the position the lights are shown in the catalogue and price list.

Ref Finishings

2123105U	Satin Nickel
2123160U	Nickel Dark Leather
2123161U	Nickel Caramel Leather
2123105GU	Satin Nickel / GU24
2123160GU	Nickel Dark Leather / GU24
2123161GU	Nickel Caramel Leather / GU24

Lampshade 10.63" x 7.09" x 10.63"

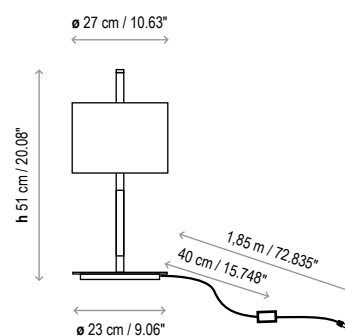
P-227U	Cotton
P-005U	Cream Translucent Ribbon
P-006U	White Translucent Ribbon

Lampshade components and polycarbonate diffuser included

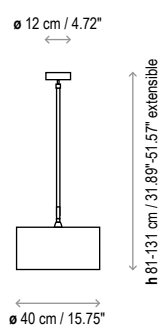
Transparent wire

Customizable

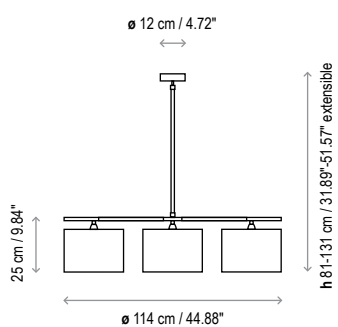
Measures



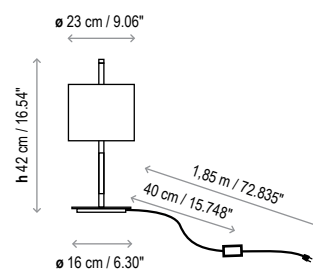
Danona - 1 Luz



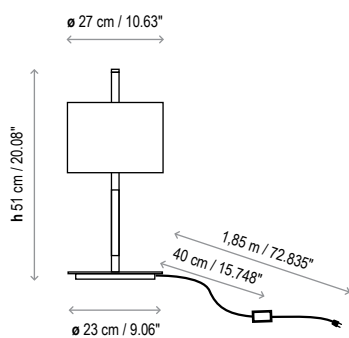
Danona - 3 Luces



Danona - Mini



Danona - Mesa



Danona - Pie

