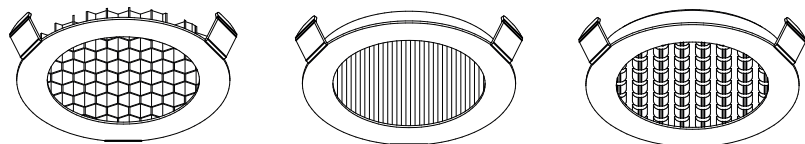
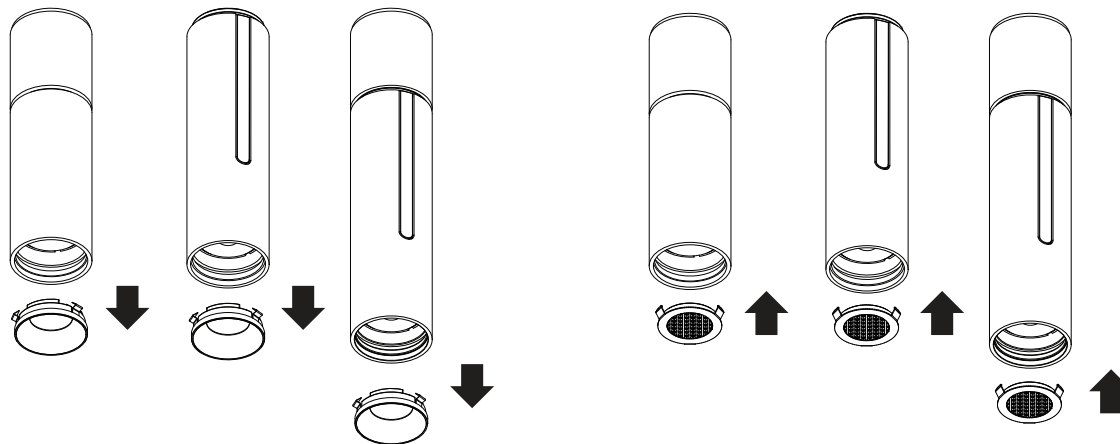


kreon



Name	Reference
anti-glare louvre	KR762000
sculpture lens	KR762100
diffusing lens	KR762200

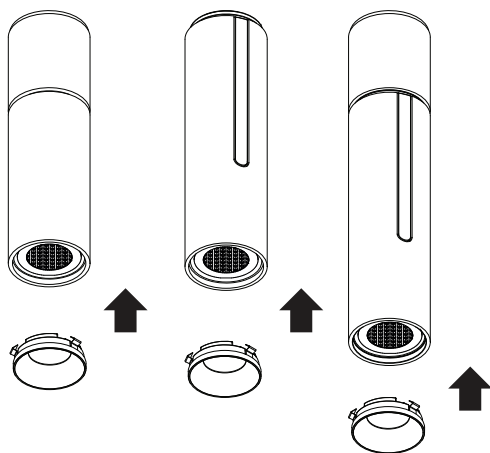
1 accessories



2 installation

pull the louvre out of the holon 40

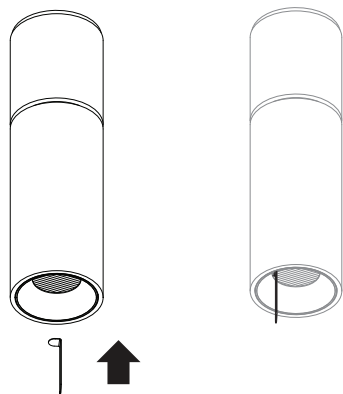
push accessory of choice inwards until it blocks



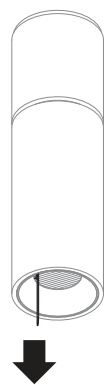
installation

Push louvre back in the holon 40

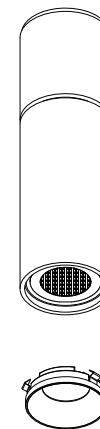
in case of disassembling the louvre



take the tool delivered with the accessory and put it in between the glass and the louvre



pull the louvre out by using the tool



use the same tool to pull out the accessory

3 disassembly

installation

kreon nv

Industrieweg Noord 1152
3660 Oplabbeek
Belgium

Tel + 32 89 81 97 80
Fax + 32 89 81 97 90

www.kreon.com
mailbox@kreon.be

revision date: 04/06/2015
KR8622102021

Sheet 2/2