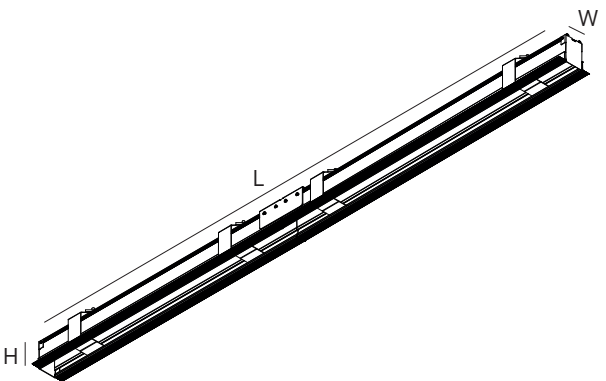
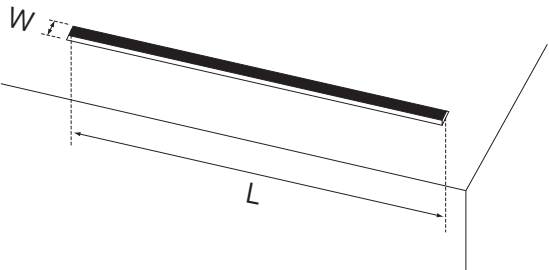
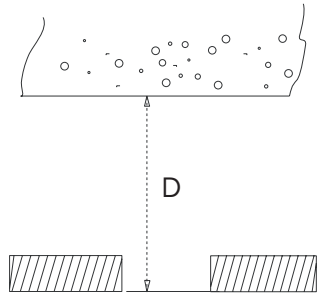
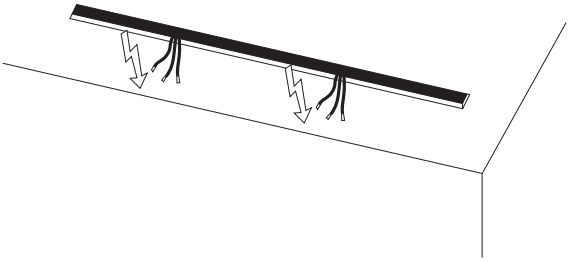
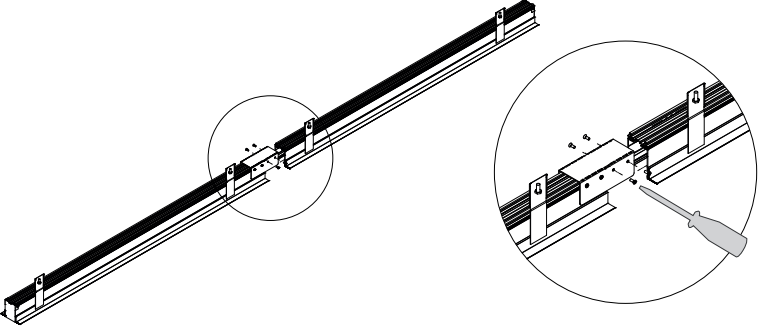
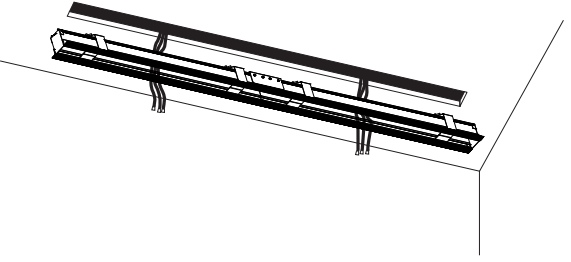
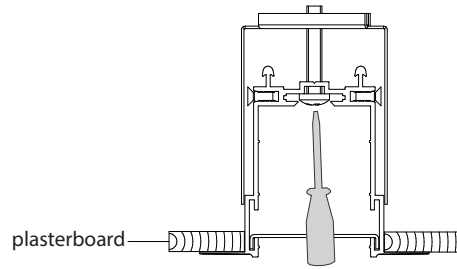


kreon

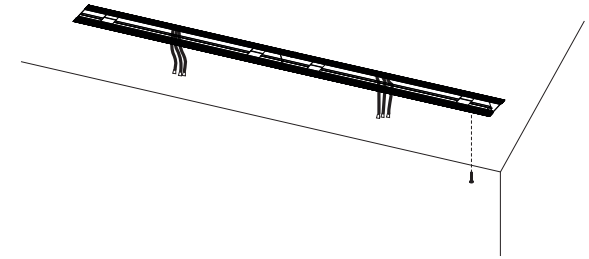
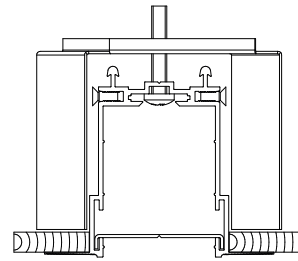
		Name Nuit GEN2 plasterkit for profiles	Reference KR703155	L x W x H L x 58 x 82mm	cutout L x W x D (L+2)x 60 x 100mm
1 dimensions	Please make sure that mains voltage is disconnected before installing! ⚡				

2 installation for wet plaster ceiling	 <p>make a cutout in the plasterboard according to the given dimensions</p>	 <p>plasterboard thickness: 9.5 - 22mm</p>	 <p>supply correct power FOR EACH PROFILE SECTION!! 5-pole cable for DALI and 1-10V 3-pole cable for ON/OFF and Phase dim</p>
---	--	---	--

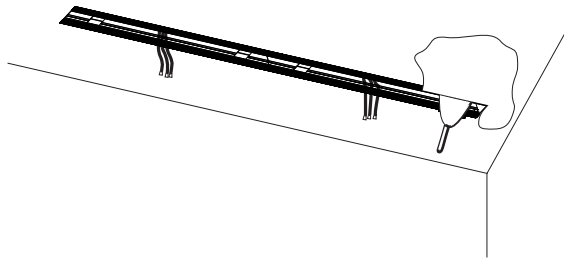
kreon nv	 <p>fix all profile parts together by using the profile connector bracket</p>	 <p>provide supply wires for each slot on the top of the profile sections and push the plasterkit in the cutout</p>
----------	---	--



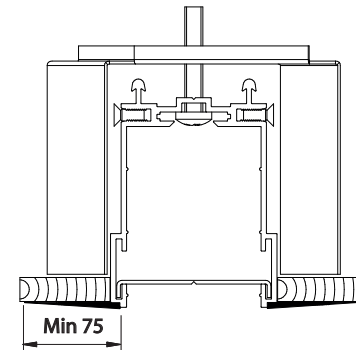
tighten screws on both sides of the profile until the profile is locked in place



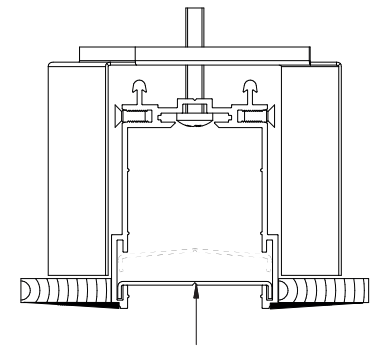
fix flanges of plasterkit to plasterboard with screws



fill around perimeter of plasterkit using suitable filler and plaster to hide screws and plasterkit



minimum filler distance, spread out to zero



remove spacer when plaster is dry by pushing it inwards