

Heathfield&Co

Product Specification Sheet

CEILING LIGHT | CELIA CHANDELIER



PRODUCT INFORMATION

Base Code: PD-CELI-BRNZ-WOOD-C00

Material: Wood & Metal

Metalwork: Blackened Bronze

Finish shown: Walnut

Lampshade: 5x 11" Celia Drum / SH-11-CELI

TECHNICAL INFORMATION

Weight: 5.2kg / 11.4lbs

Switching & Plug: Hardwired

Lamping: 5x E27 lampholder / 5x E26 US lampholder

25W max. LED lamps recommended.

Lamps not included

TOTAL HEIGHT: 850 mm / 33¹/₂"

TOTAL WIDTH: 1130 mm / 44¹/₂"

UKCA / CE / UL COMPLIANT

WARRANTY

10 years*

FINISHING NOTE

Wood, as a natural material, presents distinctly unique grain, patterning and colouration. We use hand applied finishes and leafing and as such, it is part of the charm that no two products are exactly the same.

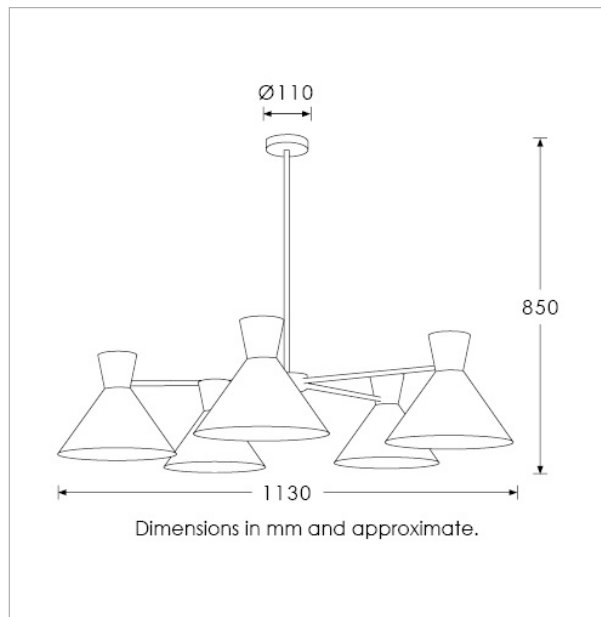
CLEANING INSTRUCTIONS

The finishes on this luminaire only require regular cleaning with a soft dry duster. Abrasive or chemical cleaners may harm the finish and should not be used. Shades to be dusted with a clean dry cloth.

FIXING NOTE

It is the buyer's responsibility to ensure that suitable fixings are used.

*Please refer to our Terms & Conditions for further information.



H&
CO

LIGHT BEYOND DESIGN