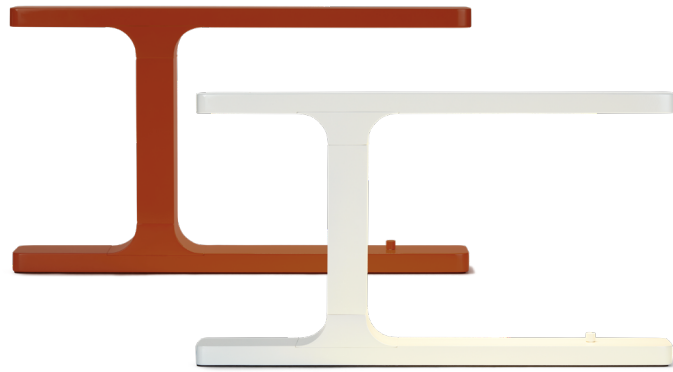


# Beam

Maria Vafiadis



Beam rappresenta un'evoluzione nell'interpretazione della "lampada di scopo", dall'inglese "task light", categoria a cui appartengono le lampade da scrittoio e da lettura. L'innovazione è rappresentata dal fatto che si muove la luce e non la lampada. Attraverso il pulsante a tre fasi, la luce diventa orientabile ed indirizzabile a seconda della necessità di chi la usa, senza dover muovere la struttura.

*Beam represents an evolution in the interpretation of the "lamp of purpose", from the English "task light", a category lamps for writing and reading belong to. Innovation is represented by the fact that what is moving is the light, but not the lamp. Through the three-phase switch, the light becomes adjustable and addressable according to the user's needs without having to move the structure.*

SPECIFICHE PRODOTTO / PRODUCT SPECIFICS

p.2

BEAM

p.3

## STRUTTURA / FRAME



Laccato arancione scuro  
Dark orange finish



Laccato bianco perla  
Pearl white finish

## CAVO - INTERRUTTORE / CABLE - SWITCH

Tessuto nero  
Black fabric

L: 2000 mm  
L: 78,7"

Luce orientabile (180°)  
Pulsante sulla base  
Tre posizioni: sinistra, destra, centrale

*Adjustable light (180°)  
Switch on the base  
Three positions: left, right and central*

## FONTE LUMINOSA / LIGHT SOURCE

### 220-240V



Strip LED

2 x 4W  
Strip LED  
Emissione / Light emission: 880 Lm  
2.700 K; CRI: >90  
IP20



Beam

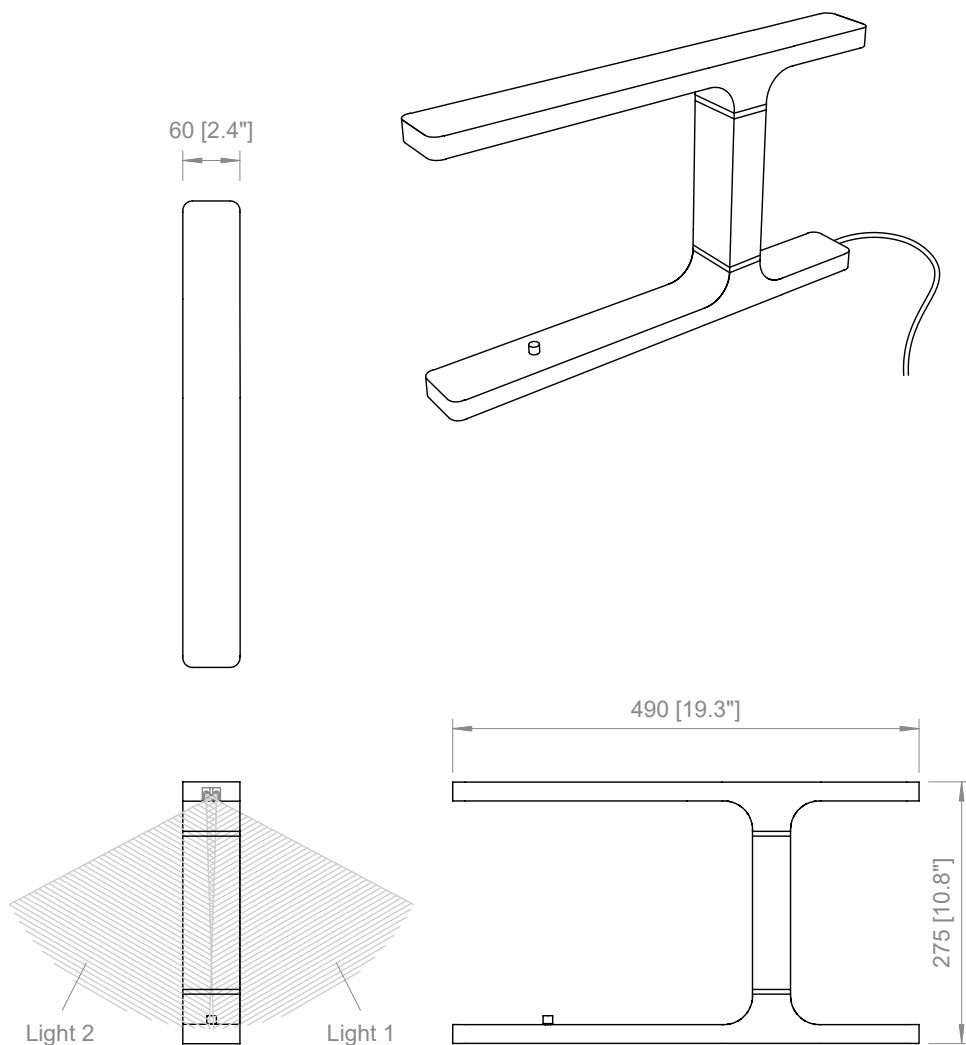
### 110V



Strip LED

2 x 4W  
Strip LED  
Light emission: 880 Lm  
2.700 K; CRI: >90  
IP20





**PRODOTTO / PRODUCT    IMBALLI / PACKAGING**

**Peso-Weight**  
4 kg / 8.8 lbs

**Box 1**  
L: 120 mm / 4.7"  
P-W: 410 mm / 16.1"  
H: 670 mm / 26.3"  
Peso-Weight: 5 kg / 11 lbs

Copyright and/or design rights subsist in this drawing. No part of this drawing may be reproduced in any material form (including photocopying or storing in any medium electronic means, whether or not intentionally and whether or not as part or a larger publication) without the express permission of the copyright owner, Contardi Lighting S.r.l.. Further and without prejudice to the above, this drawing and all information relating thereto is confidential, and shall not be communicated to a third party without the consent of Contardi lighting srl. Contardi lighting srl asserts all rights to be identified as the author of the work and otherwise.

WARNING: The doing of any unauthorised act in relation to a copyright work may result in both a civil claim for damages and criminal prosecution.

---

**CONTARDI LIGHTING Srl**

ITALY HEADQUARTERS

[www.contardi-italia.com](http://www.contardi-italia.com) / [sales@contardi-italia.it](mailto:sales@contardi-italia.it)

**CONTARDI USA Inc**

USA BRANCH

[www.contardi-usa.com](http://www.contardi-usa.com) / [sales@contardi-usa.com](mailto:sales@contardi-usa.com)

