

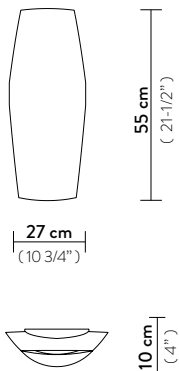


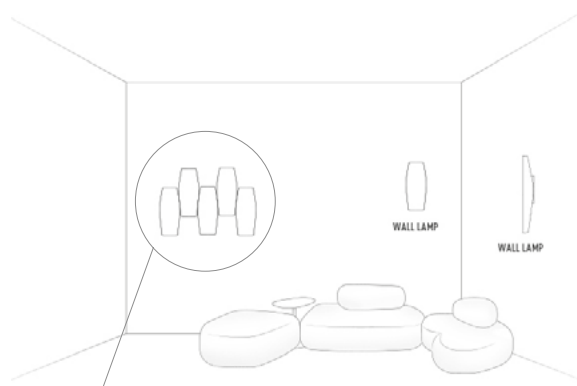
# MIRAGE

design by Manuel Wijnffels

Compendium page 210



PRODUCT	SIZE	COLOUR	CODE
<p><b>WALL LAMP</b></p> <p>LED:</p> <p>14W - 220Vac/12Vdc - 1100 Lumen - 2700 Kelvin</p> <p>Made of: Lentiflex®</p> <p>With: <b>Stainless Steel support</b></p> <p>Weight: net Kg 0,60 - gross Kg 1,3</p> <p>Package: 28 x 39 x h10cm</p> <p>CE IP 20  </p>		<input type="checkbox"/> <b>PRISMA</b>	<p><b>MIR55APP0000LE000</b></p>

## MIRAGE ENTIRE COLLECTION




MIRAGE suggested composition

## ENERGY CLASS

 This luminaire contains built-in LED lamps. } LED 

The lamp cannot be changed in the luminaire.

**SLAMP:** 

MIRAGE 874/2012