

LANTERN | LANTERN - WALL LANTERN - 400 | LANTERN-400-WL



DESCRIPTION

An extension of the existing 'Lantern' collection now also available as a matching wall lantern. Illuminated by a GU.10 Halogen or LED downlight.

PRODUCT SIZE

SHADE SIZE: 400 X 450W MM / TOTAL HEIGHT: 910MM

PACKAGING DIMENSIONS

560MM(W) X 560MM(L) X 310MM(H)



LAMP TYPE & NO

1 X GU.10 50W (50W) OR 1X GU.10 3-5W LED

CLASS I
IP RATING 20
QC RATING 21

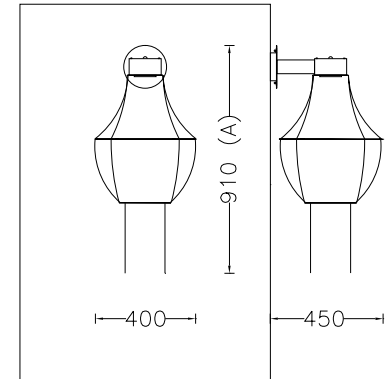
 VOLTAGE RANGE
110-240V

PRODUCT
MARKS &
RATINGS



WEIGHT 4KG
PACKED 7KG
WEIGHT

TECHNICAL DRAWING



INTERACT

SELECT COLOUR

- SILVER *
- BRASS *
- COPPER *
- SMOKE *
- MIXED METALIC *
- RUST *
- WHITE
- RED
- BLACK

* METALLIC

CUSTOMISE DIMENSIONS

A

B

LAMP TYPE

QUANTITY

ADDITIONAL COMMENTS

WEB LINK 