

boverinfo@bover.es
export@bover.es
www.bover.es**Lineana - H**

Name: Lineana - H

Design: Christophe Mathieu / 2010

Typology: Wall lamp

Environment: Outdoor

Technical description:

Exterior wall sconce with LED light emitting from polycarbonate diffuser. Structure and slotted mask made of stainless steel and aluminum with a brown or grey graphite paint finish.



Lamps description



Grounding: compulsory



Ready for mounting on normally flammable surface



2 x 9 W G9 Bajo consumo



2 x 3,5 W LED G-9



26 W LED
Led: 26 W
Lumens: 1880 lm
CRI: 80
Degrees Kelvin: 3000^a

Voltage: 230V~50Hz



1 Box 25 x 65 x 15 cm

Vol.: 0,0244 m³

Weight: 3 kg

Certifications: **CE IP-55**

Photometrics made according to the position the lights are shown in the catalogue and price list.

Ref Finishings

1121208H Grey Graphite (G9)

1121203H Brown Graphite (G9)

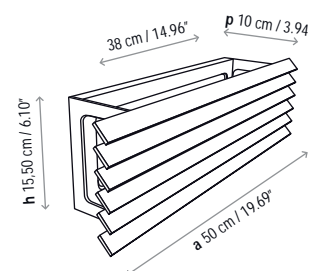
1121208LH Grey Graphite (LED)

1121203LH Brown Graphite (LED)

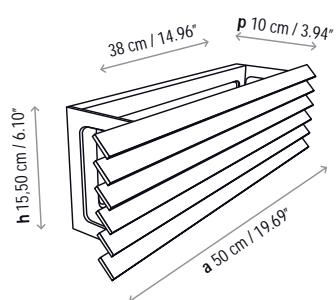
Surface back box: 38 x 15 cm

Not Customizable

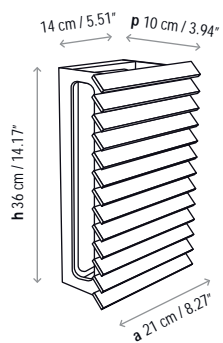
Measures



Lineana - H



Lineana - V



Lineana - Ipe

