

Heathfield&Co

Product Specification Sheet

TABLE LAMP | FUJI



PRODUCT INFORMATION

Base Code: TL-FUJI-ABRS-MAGM

Material: Ceramic

Finish shown: Magma

Metalwork: Antique Brass

Lampshade: 12" Flat Drum / SH-12-FLDR

Flex: UK & EU 1.5 metres of Black twisted flex /

US Black braided flex

TECHNICAL INFORMATION

Weight: 2.9kg / 6.3lbs

Plug: Black 13amp UK plug /

Black Schuko EU plug / Black US polarised plug

Switching: Black inline switch

Lamping: 1x E27 lampholder / 1x E26 US lampholder

60W max. LED lamps recommended.

Lamps not included

BASE HEIGHT: 220 mm / 8^{1/2}"

TOTAL HEIGHT: 400 mm / 15^{3/4}"

BASE WIDTH: 280 mm / 11"

SHADE WIDTH: 305 mm / 12"

UKCA / CE / UL COMPLIANT

WARRANTY

10 years*

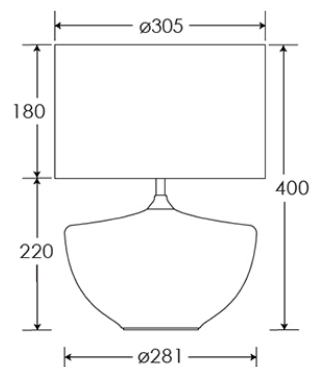
FINISHING NOTE

The ceramic glazes that we have used on this lamp will create differences from piece to piece - variations in colour, formation and detailing. As such, it is part of the charm that no two products are exactly the same.

CLEANING INSTRUCTIONS

The finishes on this luminaire only require regular cleaning with a soft dry duster. Abrasive or chemical cleaners may harm the finish and should not be used. Shade to be dusted with a clean dry cloth.

*Please refer to our Terms & Conditions for further information.



Dimensions in mm and approximate

H&
CO

LIGHT BEYOND DESIGN