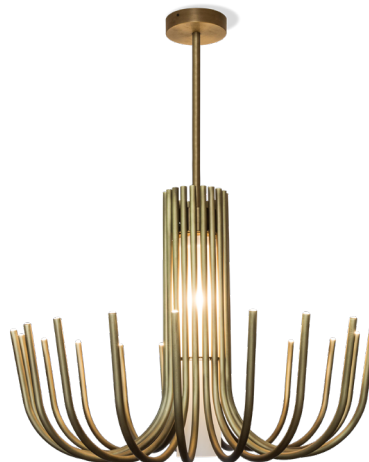


Stardust

Marcello Colli & Maurizio Di Mauro



SO SMALL



SO LARGE



Ispirato ai grandi lampadari classici, ma con un look più essenziale dato dall'uso del solo metallo senza alcun elemento decorativo aggiuntivo. Stardust prevede una duplice illuminazione, fornita dai micro LED posizionati alle estremità superiori dei singoli bracci e dalla lampadina inserita nel cilindro in vetro che rappresenta la sorgente principale che illumina verso il basso. Sono previste due altezze standard per lo stelo di sospensione oppure "su misura".

This is inspired by large classic chandeliers, yet gains a more minimalist look by using metal without additional decorative elements. Stardust provides a double illumination, provided by the micro LEDs positioned on the tips of the individual arms, and by the bulb within the glass cylinder, as the main light source that illuminates downwards. Available in two standard suspension heights, or "custom".

SPECIFICHE PRODOTTO / PRODUCT SPECIFICS

p.2

STARDUST SO SMALL
STARDUST SO LARGE

p.3
p.4

STRUTTURA / FRAME

Bronzo spazzolato chiaro opaco
Matt light satin bronze

STRUTTURA / FRAME

Vetro bianco satinato
Satin white glass

CAVO - INTERRUTTORE / CABLE - SWITCH

Tessuto nero
Black fabric

SO SMALL

H: 2000 mm
L: 78.7"

SO LARGE TIGE

H: 350 / 550 mm
L: 13.7" / 21.6"

FONTE LUMINOSA / LIGHT SOURCE**220-240V**

E27 LED

1 x 14W E27
Lampadina LED
LED light bulb
IP20

+



LED module

20 x 2W
LED module
Emissione / Light emission: 4.500 Lm
IP20

Fonte luminosa principale compatibile
con sistemi di controllo remoto in caso
di utilizzo di lampadine LED dimmerabili
Modulo LED non dimmerabile

*Main light source compatible with
remote control systems when dimmable
LED light bulbs are used
LED module, not dimmable*

**110V**

E26 LED

1 x 14W E26
LED light bulb
IP20

+

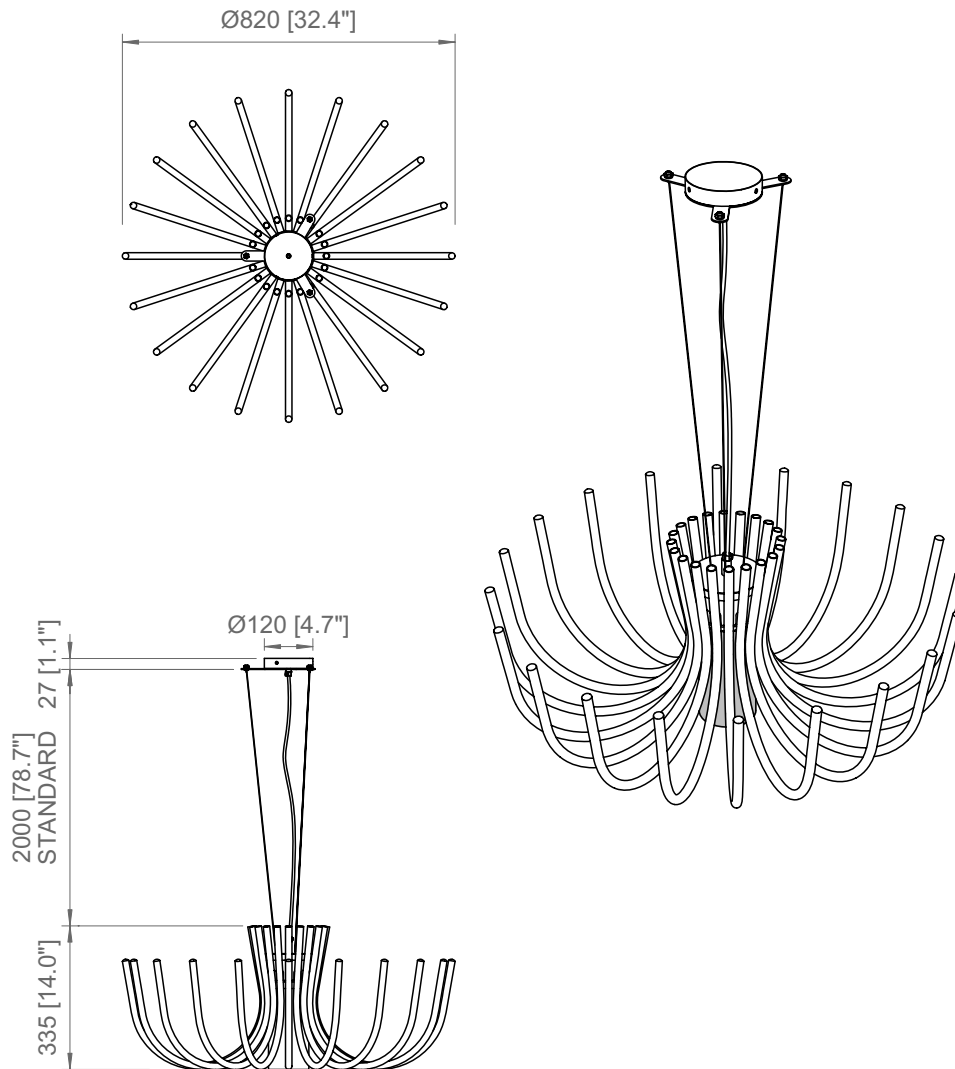


LED module

20 x 2W
LED module
Light emission: 4.500 Lm
IP20

Main light source compatible with
remote control systems when
dimmable LED light bulbs are
used
LED module, not dimmable





PRODOTTO / PRODUCT IMBALLI / PACKAGING

Peso-Weight

15 kg / 33 lbs

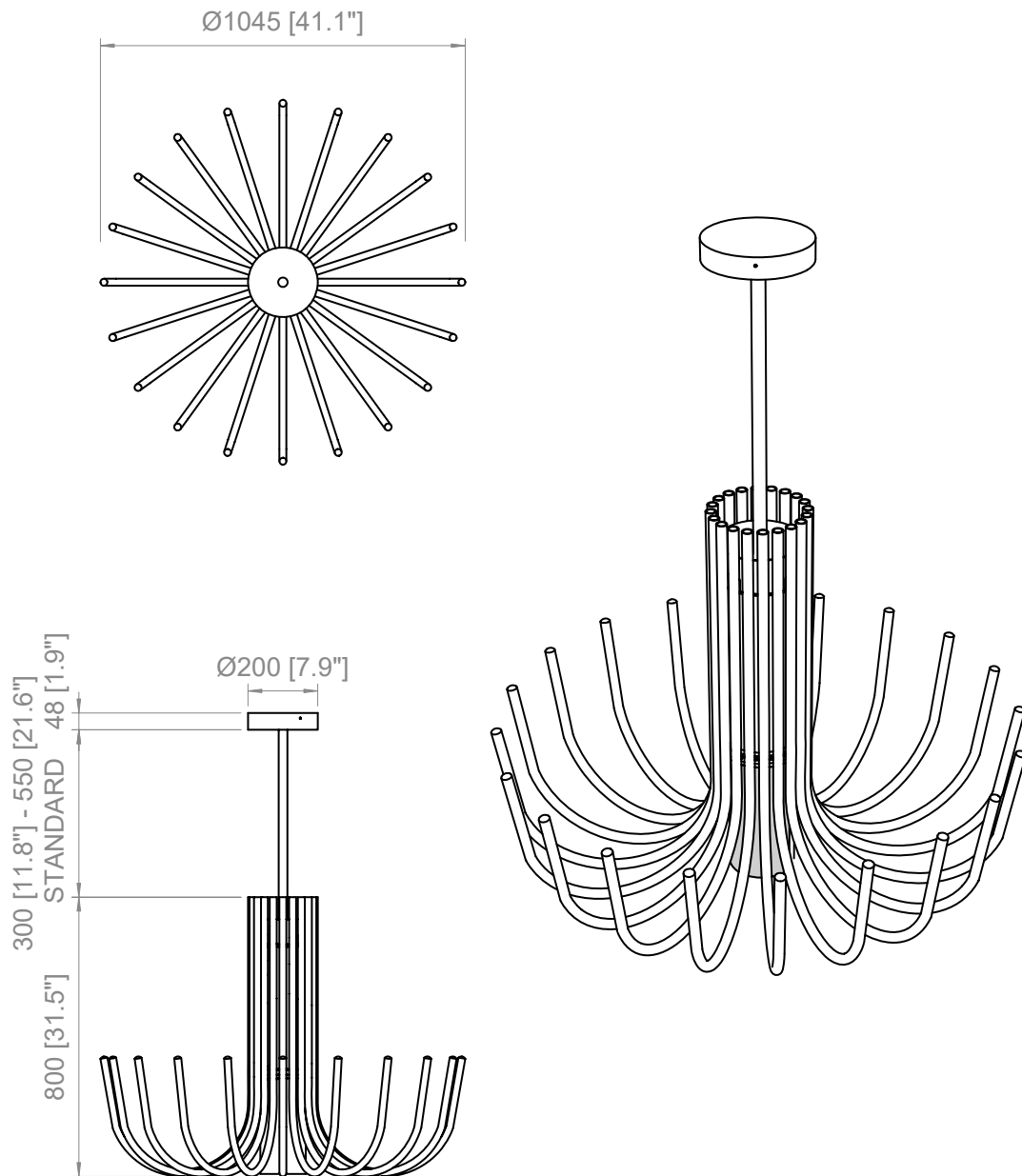
Box 1

L: 980 mm / 38.6"

P-W: 980 mm / 38.6"

H: 440 mm / 17.3"

Peso-Weight: 17 kg / 37.4 lbs



PRODOTTO / PRODUCT **IMBALLI / PACKAGING**

Peso-Weight
23 kg / 50.7 lbs

Box 1
L: 1200 mm / 47.2"
P-W: 1200 mm / 47.2"
H: 900 mm / 35.4"
Peso-Weight: 25 kg / 55.1 lbs

Copyright and/or design rights subsist in this drawing. No part of this drawing may be reproduced in any material form (including photocopying or storing in any medium electronic means, whether or not intentionally and whether or not as part or a larger publication) without the express permission of the copyright owner, Contardi Lighting S.r.l.. Further and without prejudice to the above, this drawing and all information relating thereto is confidential, and shall not be communicated to a third party without the consent of Contardi lighting srl. Contardi lighting srl asserts all rights to be identified as the author of the work and otherwise.

WARNING: The doing of any unauthorised act in relation to a copyright work may result in both a civil claim for damages and criminal prosecution.

CONTARDI LIGHTING Srl

ITALY HEADQUARTERS

www.contardi-italia.com / sales@contardi-italia.it

CONTARDI USA Inc

USA BRANCH

www.contardi-usa.com / sales@contardi-usa.com

