

AMARCORD wall lamp

Matteo Ugolini design

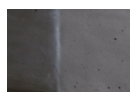
year 2018

DATA SHEET - AP121 GS INT

BASE "A"

material
colour

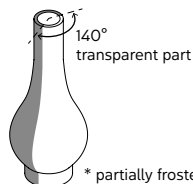
concrete
dove grey



DIFFUSER "B"

material
colour

glass
frosted
transparent*



* partially frosted

ELECTRICAL SYSTEM

socket
source
energy class

E27
1 x max 52W
from E to A++

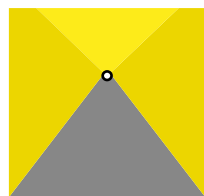
PACKAGING

n° cartons
net weight/kg
gross weight/kg
packaging/cm

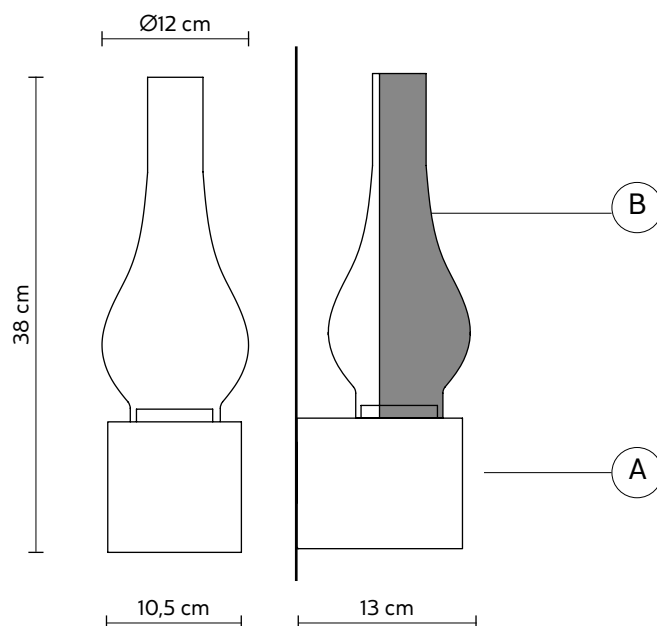
2
2,2 (A+B)
2,8 (A+B)
21x21x20 (A) - 24x24x39 (B)

LIGHT EMISSION

unidirectional



direct
filtered
indirect
absence



COMPLIANT WITH

IEC
EN

60598-1:2014
60598-1:2015



degree of protection
bulb

IP20
optional



article **700P***
tungsten filaments
E27 - 25/40W ≤60lumen
class E

***these items are special,
decorative bulbs not for
illumination purposes**

COLLECTION

also available table lamp version

