

HEATHFIELD & CO

PRODUCT SPECIFICATION SHEET

Table Lamp | ROLLO ANTIQUE BRONZE

LAMP BASE

Material: Metal
Finish shown: Antique Bronze
Code: TL-ROLL-2018-ABRZ

LAMPSHADE AS SHOWN

16" Flat Drum Oyster Glaze Linen
Shade code: SH-16-FLDR
Shade lining: White PVC

FLEX

1.5 metres of Black twisted flex. Alternative colours can be specified from our collection.

SWITCHING & PLUG

Black 13 AMP UK plug & inline switch.
Alternative plug types available.

BASE WEIGHT

3.5 kg approx.

LAMPING

1 x E27 Lampholder - 60W max. LED bulb recommended.

WARRANTY

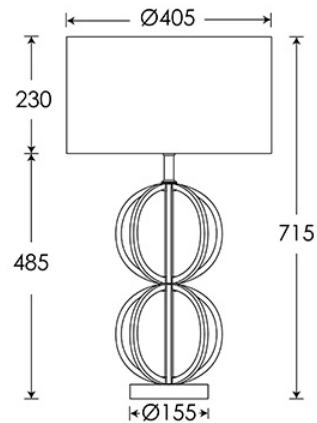
12 Months

FINISHING NOTE

All metalwork is handcrafted and may vary from piece to piece with slight variation in finish and detailing.

CLEANING INSTRUCTIONS

The finishes on this luminaire only require regular cleaning with a soft dry duster. Abrasive or chemical cleaners may harm the finish and should not be used. Shade to be dusted with a clean dry cloth.



Dimensions in mm and approximate.

H&CO

Decorative lighting
for beautiful spaces

www.heathfield.co.uk | + 44 (0) 1732 350450 | sales@heathfield.co.uk
Unit 1, Priory Road, Tonbridge, Kent, TN9 2AF, United Kingdom