

Mondrian 600 Frame Mounted LED

astro

General

Location:	Interior
Class:	CE (Class III)
Ip Rating:	IP20
Bathroom Zone:	Zone 3
Driver Required:	Constant Voltage 12V
Installation Orientation:	Wall Mount - Horizontal
Main Material:	Metal - Aluminium
Dimensions (mm):	H: 265 W: 600 D: 185
Cut Out Hole :	-
Recess Depth (mm):	-
Fire Rating:	-
Cable Length (mm):	1000
Gross Weight (kg):	1.26

Lamp

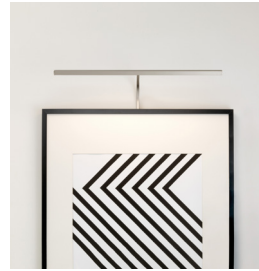
Light Source:	LED Strip
Wattage:	8W
Lamp Included:	Yes (Integral)
Maximum Lamp Length (mm):	-
Luminous Flux (lm):	214
Colour Temp (K):	2700
Cri (Ra):	90
Macadam Ellipse:	2610-2710K
Tilt Adjustable Angle (°):	40
Rotation Adjustable Angle (°):	0
Lifetime (hrs):	53000
Beam Angle (°):	-

Electrical

Switched:	No
Dimmable:	Yes
Dimming Method:	Control Gear Dependent
Supply Frequency (Hz):	-
Driver/Ballast Voltage (V):	-
Driver Lifetime (hrs):	-
Efficacy (lm/W):	20

Additional Information:

Shade Included:	-
Shade/Diffuser Material:	-
Shade/Diffuser Finish:	-
F Mark:	Suitable for mounting on flammable materials



CODE: 1374033
FINISH: MATT NICKEL



CODE: 1374034
FINISH: BRONZE



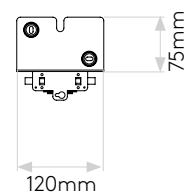
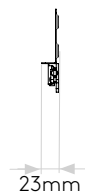
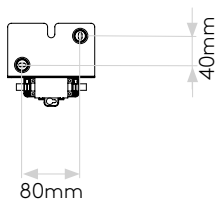
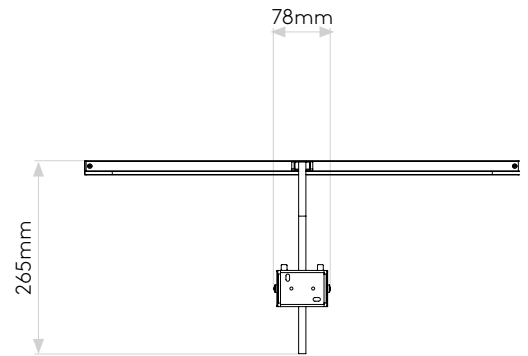
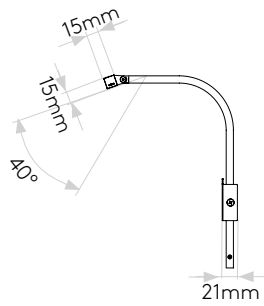
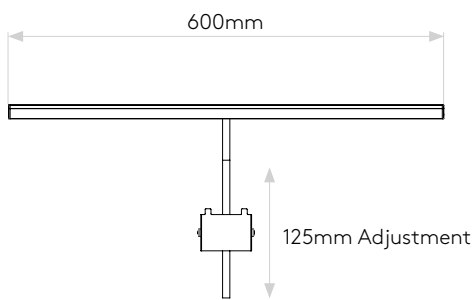
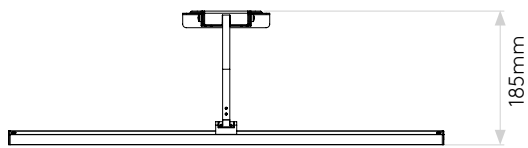
CODE: 1374040
FINISH: MATT BLACK

To maintain this product to its best condition, please view our care and cleaning guide on the support section of the astro website.

Pour entretenir au mieux ce produit, veuillez consulter notre guide d'entretien et de nettoyage, dans la rubrique d'aide sur le site Web d'Astro.

Um dieses Produkt im besten Zustand zu erhalten, beachten Sie bitte unseren Leitfaden zu Pflege und Reinigung im Abschnitt „Support“ auf der Astro-Website.

Per mantenere questo prodotto nelle sue migliori condizioni, consultare la nostra guida per la manutenzione e la pulizia nella sezione dedicata all'assistenza del sito Web Astro.



Please note that some dimensions may vary slightly due to manufacturing tolerances, this includes cable entry and fixing holes

Veuillez noter que certaines dimensions peuvent varier légèrement en raison des tolérances de fabrication, y compris l'entrée de câble et les trous de fixation.

Bitte beachten Sie, dass die Maße Fertigungstoleranzen unterliegen und daher in geringem Umfang von der angegebenen Größe abweichen können. Dies gilt auch für Kabeleingänge und Befestigungslöcher.

Si prega notare che possono esserci piccole variazioni in alcune dimensioni dovute alle tolleranze di produzione, queste includono l'ingresso del cavo e i fori di fissaggio.