

# HEATHFIELD & CO

PRODUCT SPECIFICATION SHEET

## Pendant | LEXINGTON OPAL JADE 32"

### PENDANT

Material: Glass  
Finish shown: Opal Jade  
Metalwork: Polished Chrome  
Code: PD-LEXI-CHRO-OPJD-032

### LAMPSHADE AS SHOWN

32" Drum Dark Teal Satin  
Shade lining: Silver PVC

### FLEX

1.5 metres of twisted flex with colour subject to shade colour.

### SWITCHING & PLUG

Hardwired

### WEIGHT

8.0 kg approx.

### WARRANTY

12 Months

### LAMPING

7 x G9 Lampholder - 25W max. LED bulb recommended.

### FIXING NOTE

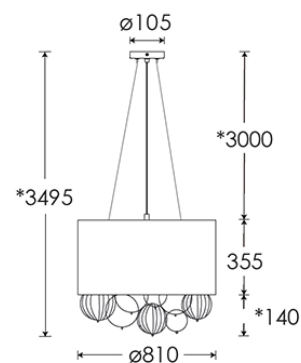
It is the buyer's responsibility to ensure that suitable fixings are used.

### FINISHING NOTE

All our glasswork is hand blown and will vary from piece to piece - variations in form and proportion. Colour formation, pattern and finishing details are unique to each lamp and it is part of the charm that no two products are exactly the same.

### CLEANING INSTRUCTIONS

The finishes on this luminaire only require regular cleaning with a soft dry duster. Abrasive or chemical cleaners may harm the finish and should not be used. Shade to be dusted with a clean dry cloth.



Dimensions in mm and approximate  
\*Adjustable flex length

H&CO

Decorative lighting  
for beautiful spaces

[www.heathfield.co.uk](http://www.heathfield.co.uk) | + 44 (0) 1732 350450 | [sales@heathfield.co.uk](mailto:sales@heathfield.co.uk)

Unit 1, Priory Road, Tonbridge, Kent, TN9 2AF, United Kingdom