

**bover**info@boverusa.com  
www.boverusa.com

# Amphora - 01

Name: Amphora - 01

Design: Alex Fernández Camps / Gonzalo Milà / 2013

Typology: Floor lamp

Environment: Outdoor

Technical description:

Outdoor floor lamp made of aluminum with a tripod stand structure. Fixture has received an applied Cataphoresis treatment to help withstand exposure to the elements. Lamp shade is composed of hand wrapped polyethylene synthetic fiber, mounted on an aluminum frame, available in different colors. Light source is protected by a frosted, polyethylene globe of medium density and UV protection. Electrical cord is protected with water-proof neoprene coating, and

fixture is direct wire with no switch on the cord or fixture. Available in three sizes.

It can be securely fastened to the floor with optional accessory R330.

Can be made in hardwired version upon request; please consult representative.




## Lamps description

 Grounding: compulsory

 2 x 20 W E26 Triple CFL

 2 x 10 W E26 A19 LED


Voltage: 120V~60Hz

 1 Box 22.44 x 21.65 x 34.25 inches

Vol.: 44.945 ft<sup>3</sup>

Weight: 35.27 lbs

Certifications:   **IP-55**

 Photometrics made according to the position the lights are shown in the catalogue and price list.

## Ref Finishings

0133003U Brown Graphite Structure

Lampshade 19.29" x 27.36"

Synthetic Polyethylene Fiber  
(Operating temperature: -70°C to +70°C)

P-741 Light Beige

P-742 Brown

All Bover's synthetic fiber collection are recyclable and non-toxic for environmental sustainability.

Light source is protected by polyethylene globe of medium density and UV protection.  
(Operating temperature: -40°C to +70°C)

Lamp and shade structure made in aluminium

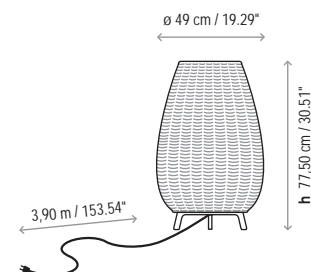
Black wire, without switch

Dry + wet location

Optional accessory R330

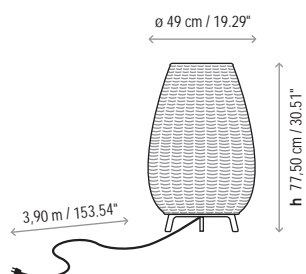
Please consult for special options

## Measures



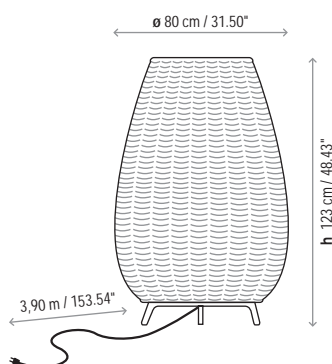
Amphora - 01

---



Amphora - 02

---



Amphora - 03

---

