

Heathfield&Co

Product Specification Sheet

CEILING LIGHT | ROEHAMPTON 24"



PRODUCT INFORMATION

Base Code: PD-ROEH-CHRO-CLER-024

Material: Crystal Glass

Finish shown: Polished Chrome

Lampshade: 24" Drum

Flex: UK & EU 1.5 metres of Old Silver twisted flex /
US Old Silver twisted flex

TECHNICAL INFORMATION

Weight: 8kg / 17.6lbs

Switching & Plug: Hardwired

Lamping: 3x E27 lampholder / 3x E26 US lampholder
40W max. LED lamps recommended.

Lamps not included

TOTAL HEIGHT: 3320 mm / 130^{3/4}"

TOTAL WIDTH: 610 mm / 24"

UKCA / CE / UL COMPLIANT

WARRANTY

10 years*

FINISHING NOTE

All our glasswork is hand blown and will vary from piece to piece - variations in form and proportion. Colour formation, pattern and finishing details are unique to each lamp and it is part of the charm that no two products are exactly the same.

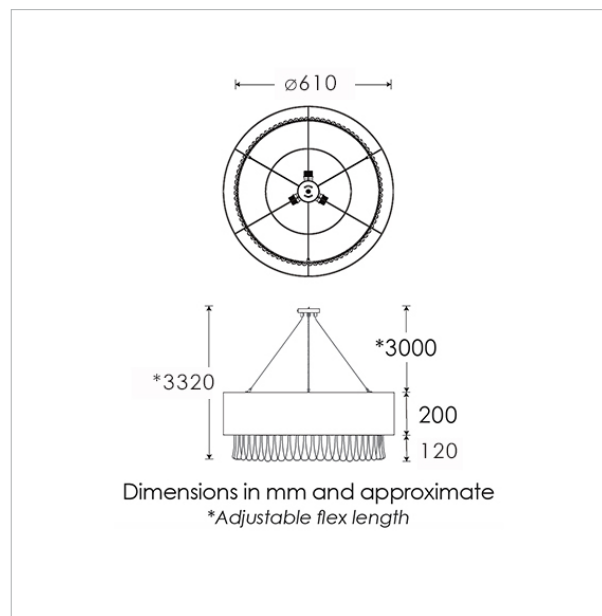
CLEANING INSTRUCTIONS

The finishes on this luminaire only require regular cleaning with a soft dry duster. Abrasive or chemical cleaners may harm the finish and should not be used. Shade to be dusted with a clean dry cloth.

FIXING NOTE

It is the buyer's responsibility to ensure that suitable fixings are used.

*Please refer to our Terms & Conditions for further information.



H&
CO

LIGHT BEYOND DESIGN

Heathfield&Co

Product Specification Sheet

CEILING LIGHT | ROEHAMPTON 32"



PRODUCT INFORMATION

Base Code: PD-ROEH-CHRO-CLER-032

Material: Crystal Glass

Finish shown: Polished Chrome

Lampshade: 32" Drum

Flex: UK & EU 1.5 metres of Old Silver twisted flex /
US Old Silver twisted flex

TECHNICAL INFORMATION

Weight: 9kg / 19.8lbs

Switching & Plug: Hardwired

Lamping: 3x E27 lampholder / 3x E26 US lampholder
40W max. LED lamps recommended.

Lamps not included

TOTAL HEIGHT: 3320 mm / 130^{3/4}"

TOTAL WIDTH: 812 mm / 32^{1/2}"

UKCA / CE / UL COMPLIANT

WARRANTY

10 years*

FINISHING NOTE

All our glasswork is hand blown and will vary from piece to piece - variations in form and proportion. Colour formation, pattern and finishing details are unique to each lamp and it is part of the charm that no two products are exactly the same.

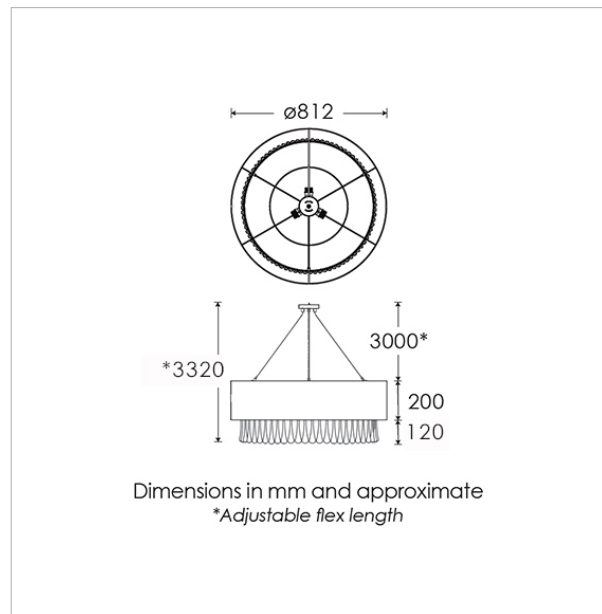
CLEANING INSTRUCTIONS

The finishes on this luminaire only require regular cleaning with a soft dry duster. Abrasive or chemical cleaners may harm the finish and should not be used. Shade to be dusted with a clean dry cloth.

FIXING NOTE

It is the buyer's responsibility to ensure that suitable fixings are used.

*Please refer to our Terms & Conditions for further information.



H&
CO

LIGHT BEYOND DESIGN