

Heathfield&Co

Product Specification Sheet

CEILING LIGHT | LEXINGTON 24" JADE



PRODUCT INFORMATION

Base Code: PD-LEXI-CHRO-OPJD-024

Material: Glass

Finish shown: Opal Jade

Lampshade: 24" Lexington Drum

Flex: UK & EU 1.5 metres of twisted flex

TECHNICAL INFORMATION

Weight: 7kg / 15.4lbs

Switching & Plug: Hardwired

Lamping: 5x G9 lampholder

40W max. LED lamps recommended.

Lamps not included

TOTAL HEIGHT: 3470 mm / 136¹/₂"

TOTAL WIDTH: 610 mm / 24"

UKCA / CE / WIRED USING US COMPONENTS

WARRANTY

10 years*

FINISHING NOTE

All our glasswork is hand blown and will vary from piece to piece - variations in form and proportion. Colour formation, pattern and finishing details are unique to each lamp and it is part of the charm that no two products are exactly the same.

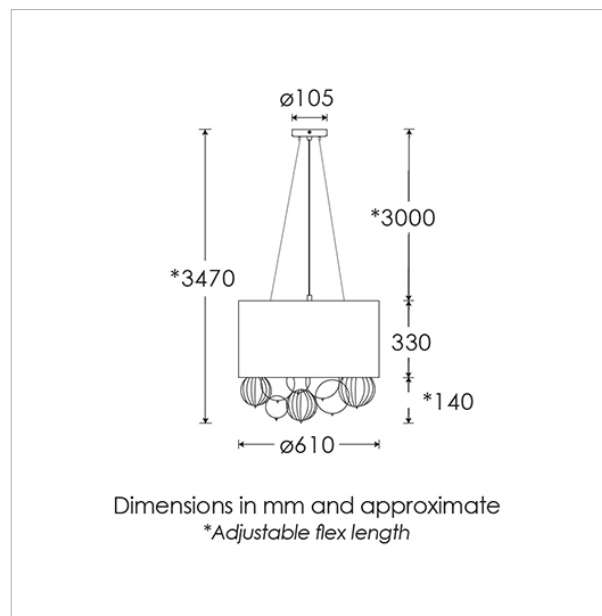
CLEANING INSTRUCTIONS

The finishes on this luminaire only require regular cleaning with a soft dry duster. Abrasive or chemical cleaners may harm the finish and should not be used. Shade to be dusted with a clean dry cloth.

FIXING NOTE

It is the buyer's responsibility to ensure that suitable fixings are used.

*Please refer to our Terms & Conditions for further information.



H&
CO

LIGHT BEYOND DESIGN

Heathfield&Co

Product Specification Sheet

CEILING LIGHT | LEXINGTON 24" SMOKE



PRODUCT INFORMATION

Base Code: PD-LEXI-CHRO-SMOK-024

Material: Glass

Finish shown: Smoke

Lampshade: 24" Lexington Drum

Flex: UK & EU 1.5 metres of twisted flex

TECHNICAL INFORMATION

Weight: 7kg / 15.4lbs

Switching & Plug: Hardwired

Lamping: 5x G9 lampholder

40W max. LED lamps recommended.

Lamps not included

TOTAL HEIGHT: 3470 mm / 136¹/₂"

TOTAL WIDTH: 610 mm / 24"

UKCA / CE / WIRED USING US COMPONENTS

WARRANTY

10 years*

FINISHING NOTE

All our glasswork is hand blown and will vary from piece to piece - variations in form and proportion. Colour formation, pattern and finishing details are unique to each lamp and it is part of the charm that no two products are exactly the same.

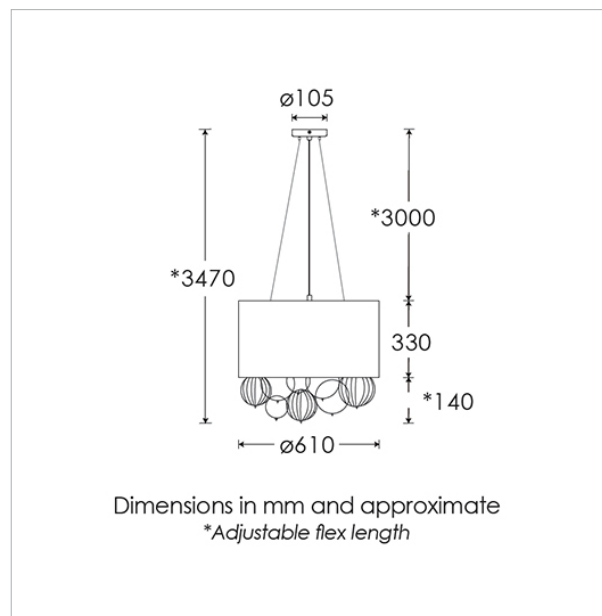
CLEANING INSTRUCTIONS

The finishes on this luminaire only require regular cleaning with a soft dry duster. Abrasive or chemical cleaners may harm the finish and should not be used. Shade to be dusted with a clean dry cloth.

FIXING NOTE

It is the buyer's responsibility to ensure that suitable fixings are used.

*Please refer to our Terms & Conditions for further information.



H&
CO

LIGHT BEYOND DESIGN

Heathfield&Co

Product Specification Sheet

CEILING LIGHT | LEXINGTON 32" JADE



PRODUCT INFORMATION

Base Code: PD-LEXI-CHRO-OPJD-032
Material: Glass
Finish shown: Opal Jade
Lampshade: 32" Lexington Drum
Flex: UK & EU 1.5 metres of twisted flex

TECHNICAL INFORMATION

Weight: 8kg / 17.6lbs
Switching & Plug: Hardwired
Lamping: 7x G9 lampholder
40W max. LED lamps recommended.
Lamps not included

TOTAL HEIGHT: 3495 mm / 137¹/₂"

TOTAL WIDTH: 810 mm / 32"

UKCA / CE / WIRED USING US COMPONENTS

WARRANTY

10 years*

FINISHING NOTE

All our glasswork is hand blown and will vary from piece to piece - variations in form and proportion. Colour formation, pattern and finishing details are unique to each lamp and it is part of the charm that no two products are exactly the same.

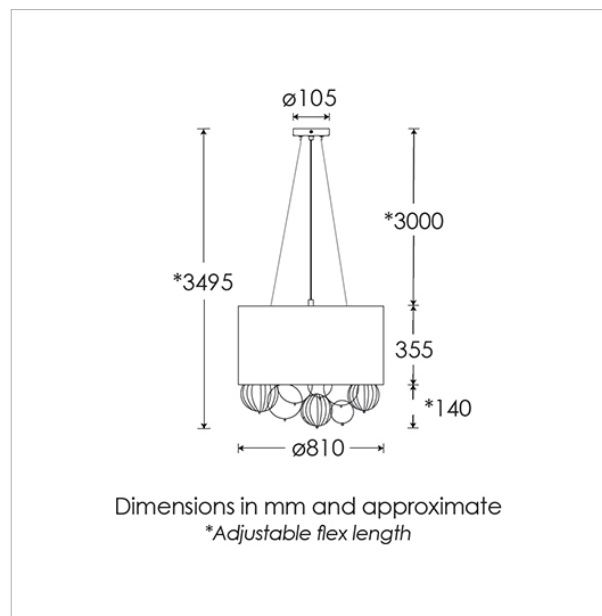
CLEANING INSTRUCTIONS

The finishes on this luminaire only require regular cleaning with a soft dry duster. Abrasive or chemical cleaners may harm the finish and should not be used. Shade to be dusted with a clean dry cloth.

FIXING NOTE

It is the buyer's responsibility to ensure that suitable fixings are used.

*Please refer to our Terms & Conditions for further information.



H&
CO

LIGHT BEYOND DESIGN

Heathfield&Co

Product Specification Sheet

CEILING LIGHT | LEXINGTON 32" SMOKE



PRODUCT INFORMATION

Base Code: PD-LEXI-CHRO-SMOK-032

Material: Glass

Finish shown: Smoke

Lampshade: 32" Lexington Drum

Flex: UK & EU 1.5 metres of twisted flex

TECHNICAL INFORMATION

Weight: 8kg / 17.6lbs

Switching & Plug: Hardwired

Lamping: 7x G9 lampholder

40W max. LED lamps recommended.

Lamps not included

TOTAL HEIGHT: 3495 mm / 137¹/₂"

TOTAL WIDTH: 810 mm / 32"

UKCA / CE / WIRED USING US COMPONENTS

WARRANTY

10 years*

FINISHING NOTE

All our glasswork is hand blown and will vary from piece to piece - variations in form and proportion. Colour formation, pattern and finishing details are unique to each lamp and it is part of the charm that no two products are exactly the same.

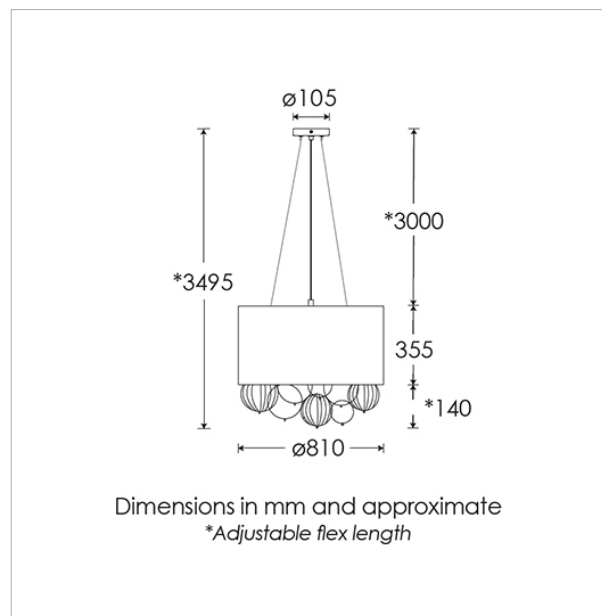
CLEANING INSTRUCTIONS

The finishes on this luminaire only require regular cleaning with a soft dry duster. Abrasive or chemical cleaners may harm the finish and should not be used. Shade to be dusted with a clean dry cloth.

FIXING NOTE

It is the buyer's responsibility to ensure that suitable fixings are used.

*Please refer to our Terms & Conditions for further information.



H&
CO

LIGHT BEYOND DESIGN