

# Heathfield&Co

## Product Specification Sheet

TABLE LAMP | ELARA



### PRODUCT INFORMATION

Base Code: TL-ELAR-SBRS-BLCK

Material: Ceramic

Finish shown: Black

Metalwork: Satin Brass

Lampshade: 10" Tall Drum / SH-10-TLDR

Flex: UK & EU 1.5 metres of Black twisted flex /

US Black braided flex

### TECHNICAL INFORMATION

Weight: 2kg / 4.4lbs

Plug: Black 13amp UK plug /

Black Schuko EU plug / Black US polarised plug

Switching: Black inline switch

Lamping: 1x E27 lampholder / 1x E26 US lampholder

60W max. LED lamps recommended.

Lamps not included

BASE HEIGHT: 470 mm / 18<sup>1</sup>/<sub>2</sub>"

TOTAL HEIGHT: 825 mm / 32<sup>1</sup>/<sub>2</sub>"

BASE WIDTH: 200 mm / 8"

SHADE WIDTH: 250 mm / 10"

UKCA / CE / UL COMPLIANT

### WARRANTY

10 years\*

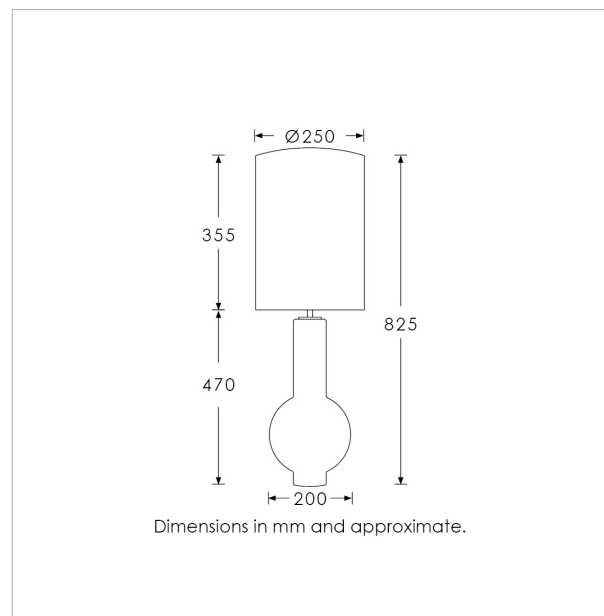
### FINISHING NOTE

The ceramic glazes that we have used on this lamp will create differences from piece to piece - variations in colour, formation and detailing. As such, it is part of the charm that no two products are exactly the same.

### CLEANING INSTRUCTIONS

The finishes on this luminaire only require regular cleaning with a soft dry duster. Abrasive or chemical cleaners may harm the finish and should not be used. Shade to be dusted with a clean dry cloth.

\*Please refer to our Terms & Conditions for further information.



H&CO

LIGHT BEYOND DESIGN