

# Heathfield&Co

## Product Specification Sheet

CEILING LIGHT | NORA BLANC



### PRODUCT INFORMATION

Base Code: PD-NORA-ABRS-BLAN

Material: Glass & Metal

Finish shown: Blanc

Flex: UK & EU 1.5 metres of Hessian braided cable /  
US Hessian braided cable

### TECHNICAL INFORMATION

Weight: 4.4kg / 9.7lbs

Switching & Plug: Hardwired

Lamping: 1x E27 lampholder / 1x E26 US lampholder  
40W max. LED lamps recommended.

Lamps not included

TOTAL HEIGHT: 2000 mm / 78<sup>3</sup>/<sub>4</sub>"

TOTAL WIDTH: 270 mm / 10<sup>1</sup>/<sub>2</sub>"

UKCA / CE / WIRED USING US COMPONENTS

### WARRANTY

10 years\*

### FINISHING NOTE

All our glasswork is hand blown and will vary from piece to piece - variations in form and proportion. Colour formation, pattern and finishing details are unique to each lamp and it is part of the charm that no two products are exactly the same.

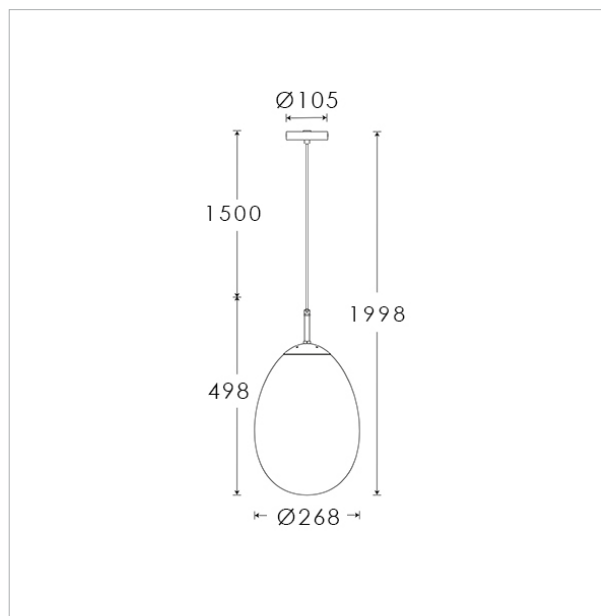
### CLEANING INSTRUCTIONS

The finishes on this luminaire only require regular cleaning with a soft dry duster. Abrasive or chemical cleaners may harm the finish and should not be used.

### FIXING NOTE

It is the buyer's responsibility to ensure that suitable fixings are used.

\*Please refer to our Terms & Conditions for further information.



H&  
CO

LIGHT BEYOND DESIGN

# Heathfield&Co

## Product Specification Sheet

CEILING LIGHT | NORA SPECKLE



### PRODUCT INFORMATION

Base Code: PD-NORA-ABRS-SPEC

Material: Glass & Metal

Finish shown: Speckle

Flex: UK & EU 1.5 metres of Hessian braided cable /  
US Hessian braided cable

### TECHNICAL INFORMATION

Weight: 4.4kg / 9.7lbs

Switching & Plug: Hardwired

Lamping: 1x E27 lampholder / 1x E26 US lampholder  
40W max. LED lamps recommended.

Lamps not included

TOTAL HEIGHT: 2000 mm / 78<sup>3</sup>/<sub>4</sub>"

TOTAL WIDTH: 270 mm / 10<sup>1</sup>/<sub>2</sub>"

UKCA / CE / WIRED USING US COMPONENTS

### WARRANTY

10 years\*

### FINISHING NOTE

All our glasswork is hand blown and will vary from piece to piece - variations in form and proportion. Colour formation, pattern and finishing details are unique to each lamp and it is part of the charm that no two products are exactly the same.

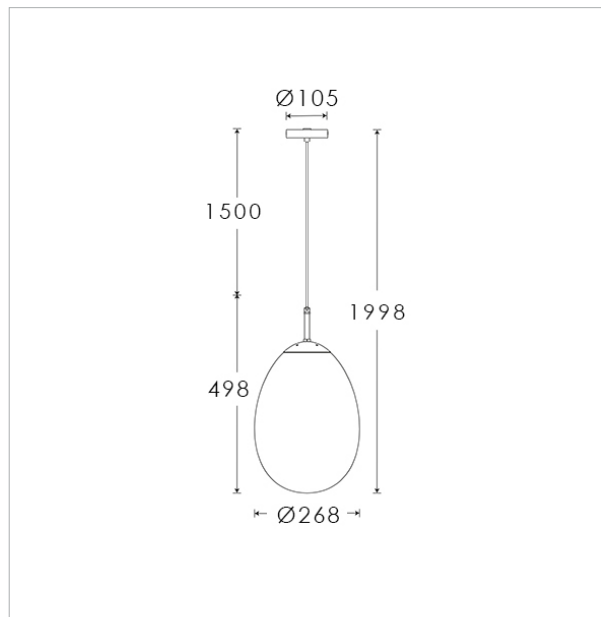
### CLEANING INSTRUCTIONS

The finishes on this luminaire only require regular cleaning with a soft dry duster. Abrasive or chemical cleaners may harm the finish and should not be used.

### FIXING NOTE

It is the buyer's responsibility to ensure that suitable fixings are used.

\*Please refer to our Terms & Conditions for further information.



H&  
CO

LIGHT BEYOND DESIGN